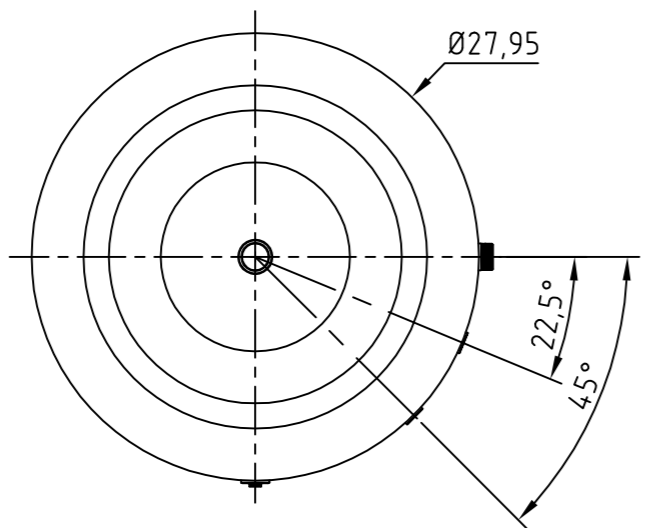


Dimensional Tolerances					
Total Height	Connections Length	Connections Height			
0-350	±3	0-10	±2	0-50	±1
350-750	±4	10-50	±3	50-250	±2
750-1000	±5	50-100	±4	250-500	±3
1000-1500	±8	>100	±5	500-800	±4
>1500	±10			800-1200	±5
				1200-1500	±8
				1500-2000	±10
				>2000	±12

Tolerances according to the table, unless otherwise specified.
All dimensions are in millimeters, unless otherwise specified.

- 9,65
- 13,6
- 39,18
- 41,14
- 43,11
- 48,43
- 53,74
- 53,94
- 64,17
- 74,80



Designed			EKR 132-2	Stainless steel AISI 444	10 bar
Drawn	22-03-2023				Max working pressure
Checked			Model	Material	
Scale	1:12			132 US Gal US Twin Tank 2,1m ² + 0,8m ²	1 Quantity
					Replaces: - Replaced for: -
					Drawing Rev. Idiom Sheet eng 1/1

