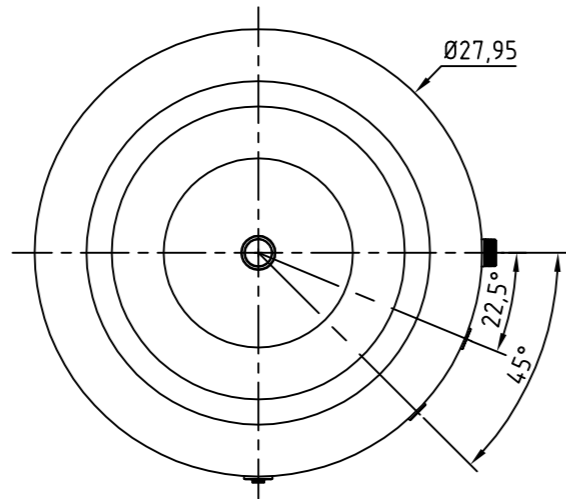
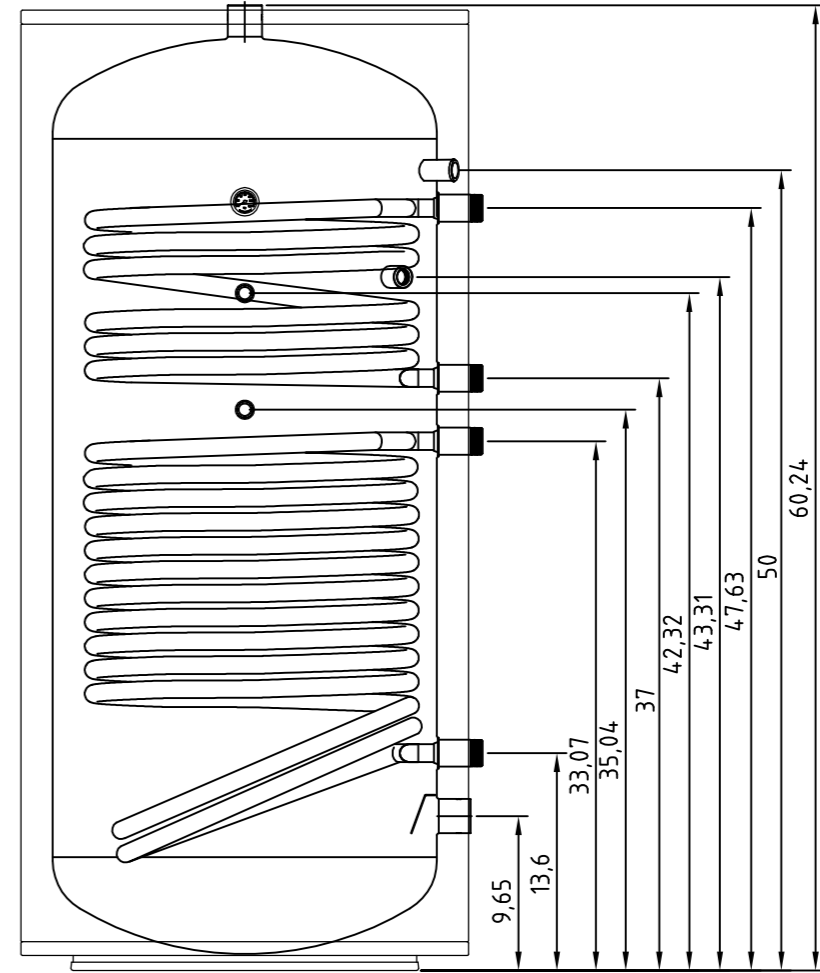
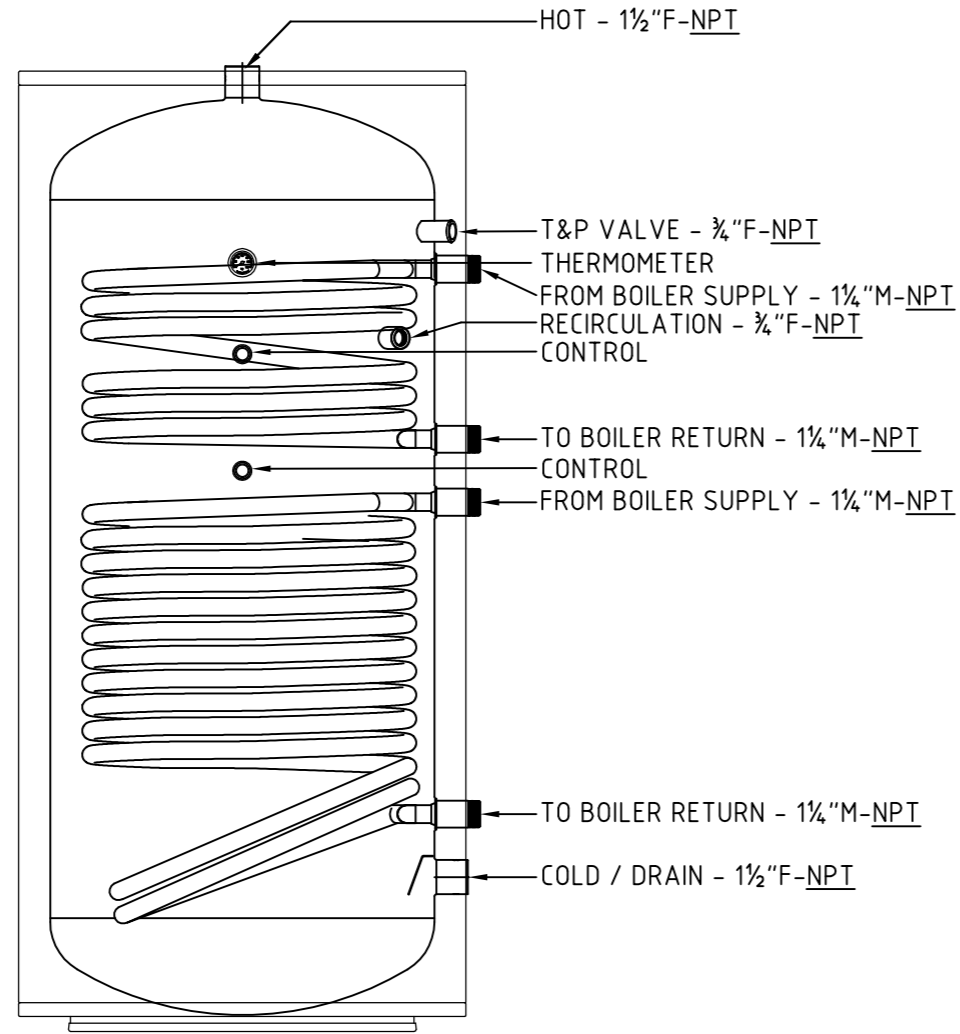



Dimensional Tolerances					
Total Height	Connections Length	Connections Height			
0-350	±3	0-10	±2	0-50	±1
350-750	±4	10-50	±3	50-250	±2
750-1000	±5	50-100	±4	250-500	±3
1000-1500	±8	>100	±5	500-800	±4
>1500	±10			800-1200	±5
Tolerances according to the table, unless otherwise specified.				1200-1500	±8
All dimensions are in millimeters, unless otherwise specified.				1500-2000	±10
				>2000	±12



Designed			EKR 106-2	Stainless steel AISI 444	10 bar
Drawn	22-03-2023		Model	Material	Max working pressure
Checked					
Scale	1:12			106 US Gal US Double Coil	Replaces: -
				1,6m ² + 0,8m ²	Replaced for: -
			Quantity	1	Rev. Idiom Sheet
					eng 1/1