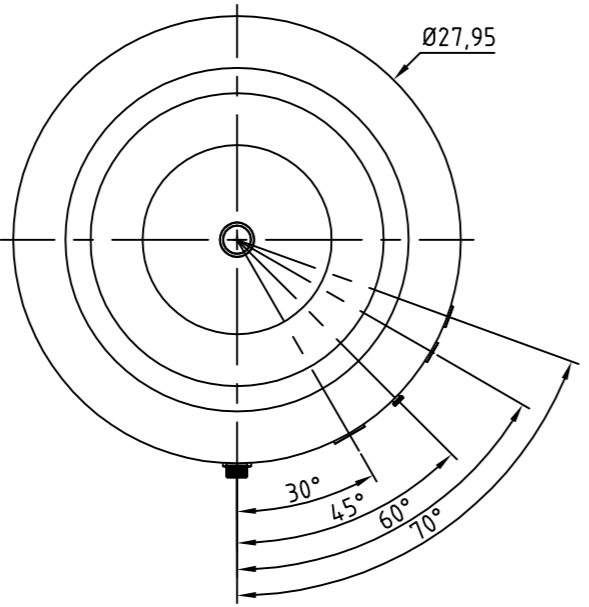
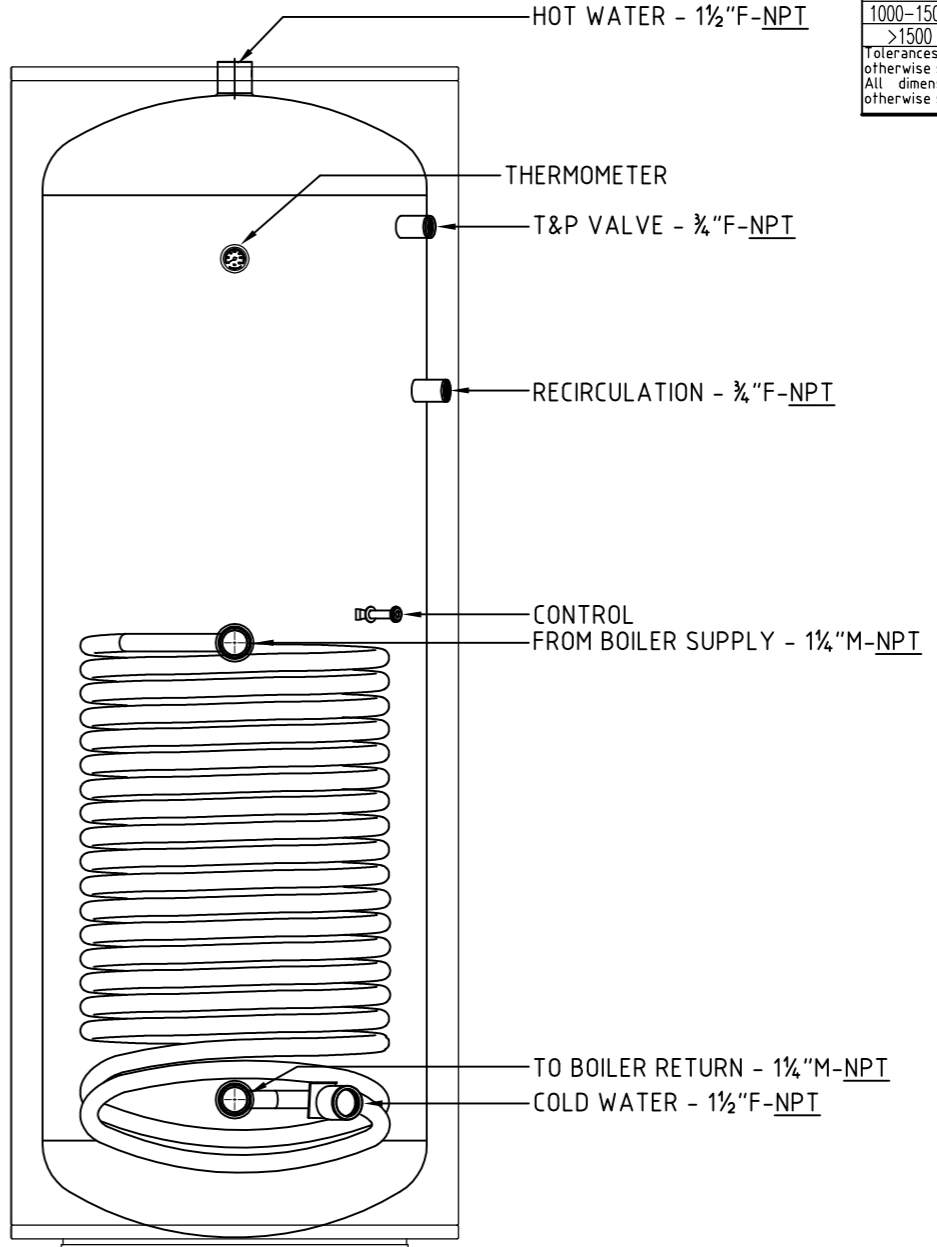
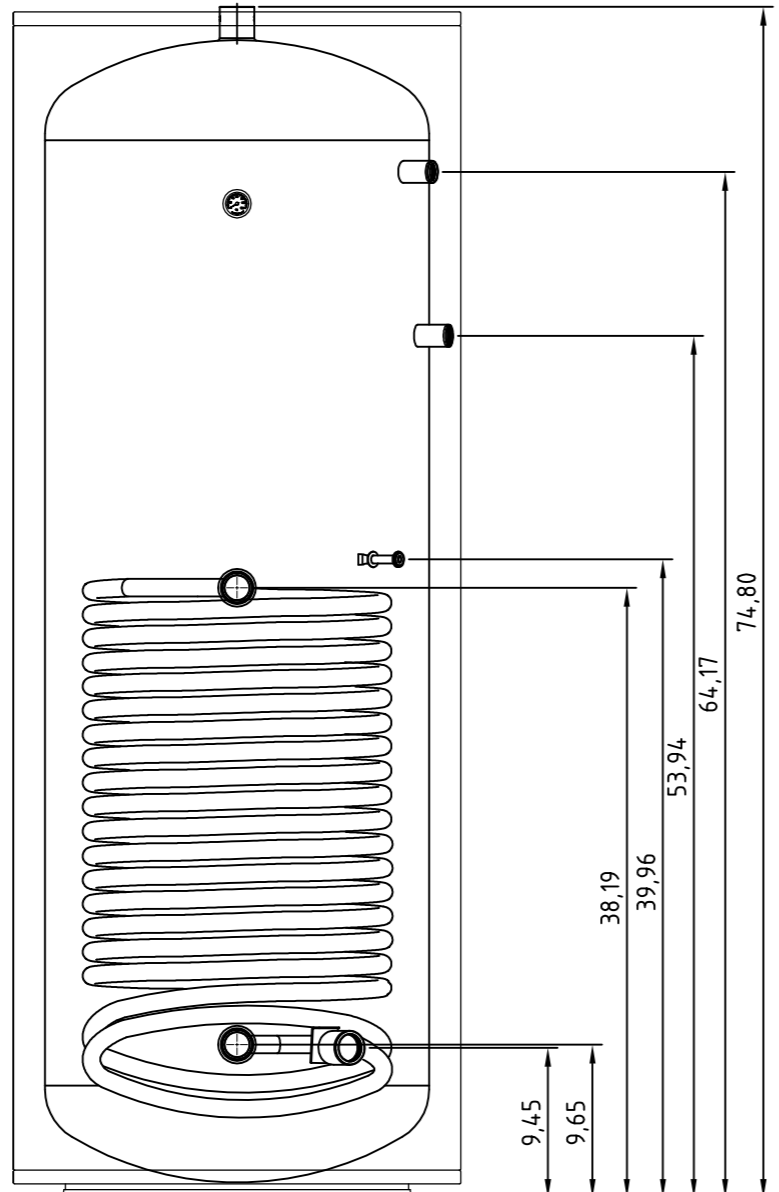


Dimensional Tolerances					
Total Height	Connections Length	Connections Height			
0-350	±3	0-10	±2	0-50	±1
350-750	±4	10-50	±3	50-250	±2
750-1000	±5	50-100	±4	250-500	±3
1000-1500	±8	>100	±5	500-800	±4
>1500	±10			800-1200	±5
				1200-1500	±8
				1500-2000	±10
				>2000	±12

Tolerances according to the table, unless otherwise specified.  
All dimensions are in millimeters, unless otherwise specified.



Designed								
Drawn		22-03-2023	<b>EKR 132-1</b>	Stainless steel AISI 444		10 bar		
Checked			Model	Material		Max working pressure		
Scale	1:12		132 US Gal US Indirect Tank		1		Replaces: -	
			2,4m <sup>2</sup>		Quantity		Replaced for: -	
							Drawing	
							Rev.	
							Idiom	
							Sheet	
							eng 1/1	