

1 2 3 4 5 6 7 8

Dimensional Tolerances					
Total Height	Connections Length	Connections Height			
0-350	±3	0-10	±2	0-50	±1
350-750	±4	10-50	±3	50-250	±2
750-1000	±5	50-100	±4	250-500	±3
1000-1500	±8	>100	±5	500-800	±4
>1500	±10			800-1200	±5
				1200-1500	±8
				1500-2000	±10
				>2000	±12

Tolerances according to the table, unless otherwise specified.
All dimensions are in millimeters, unless otherwise specified.

A

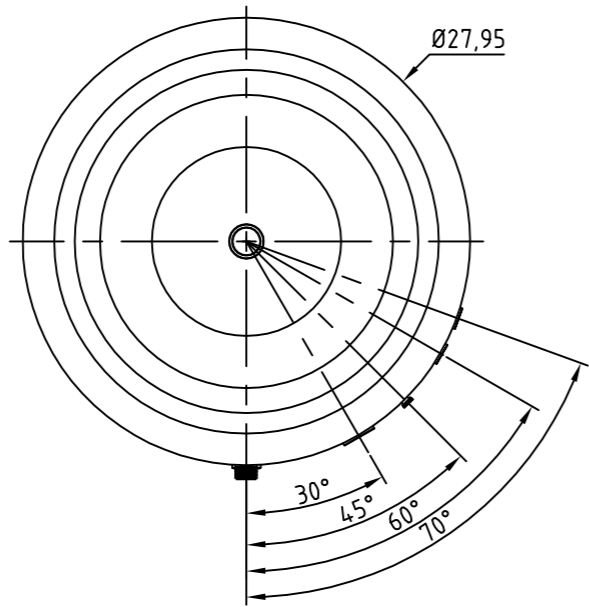
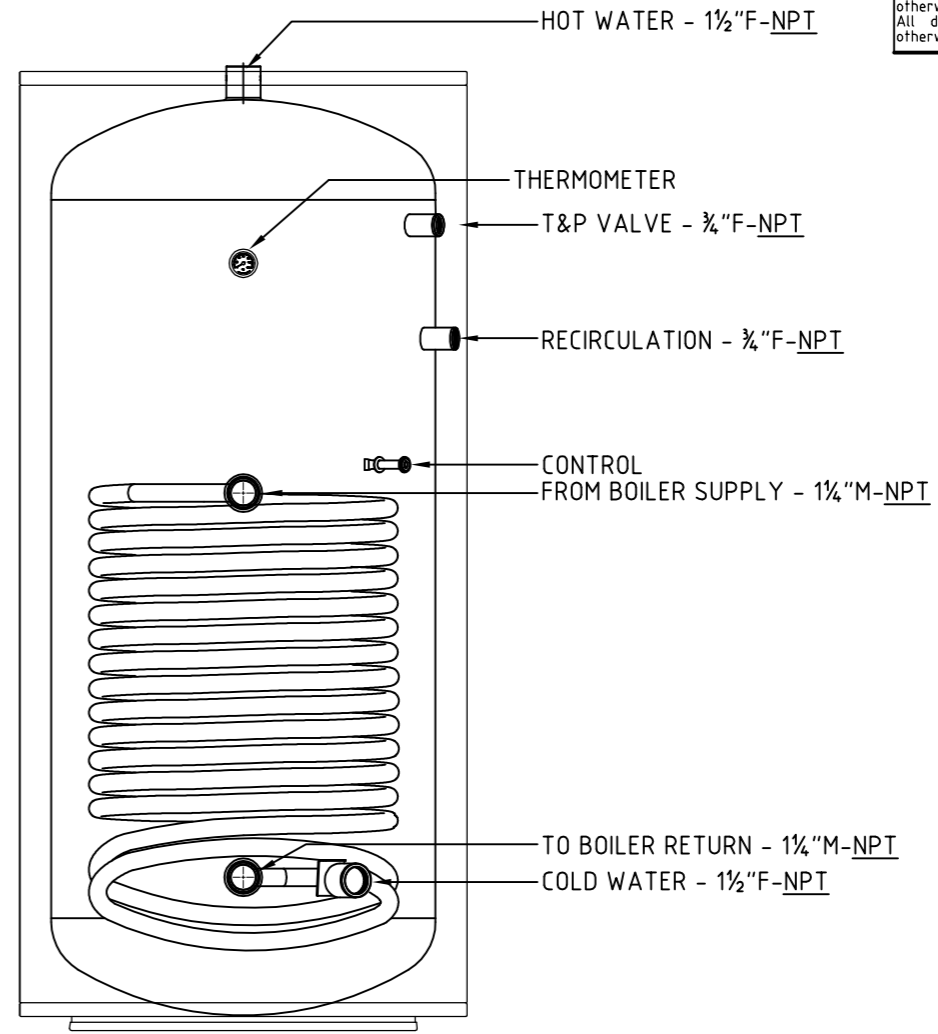
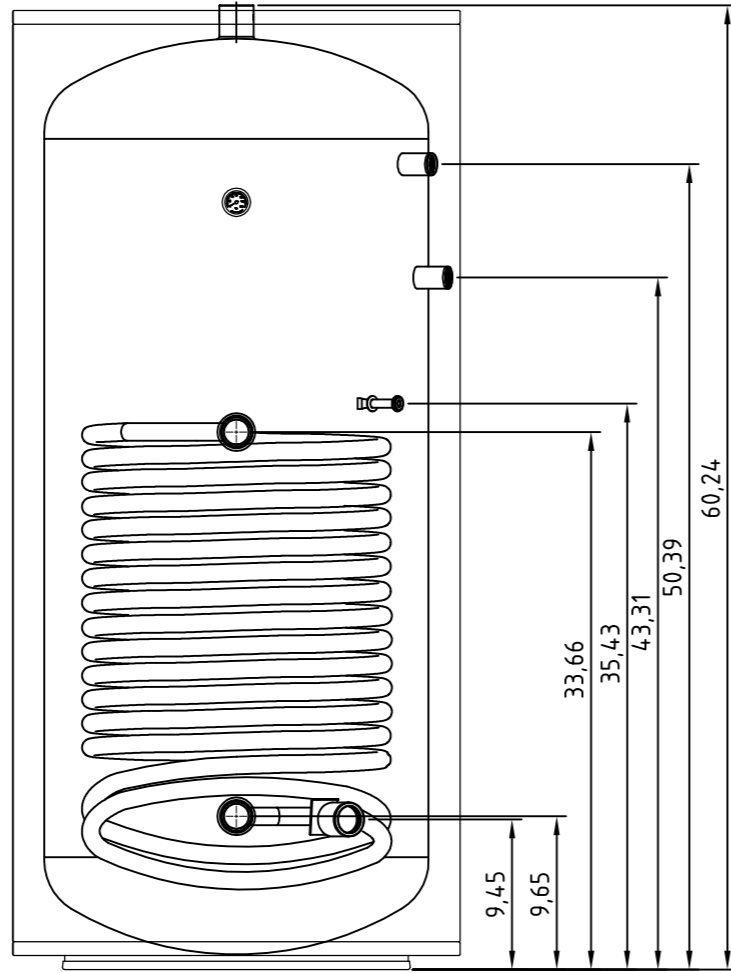
B



C

D

E

F



Designed			EKR 106-1	Stainless steel AISI 444	8 bar
Drawn		22-03-2023			
Checked			Model	Material	Max working pressure
Scale					
1:12			106 US Gal US Indirect Tank 2,0m ²	1	Replaces: -
					Replaced for: -
	Quantity				Rev. Idiom Sheet eng 1/1

1 2 3 4 5 6 7 8

A3