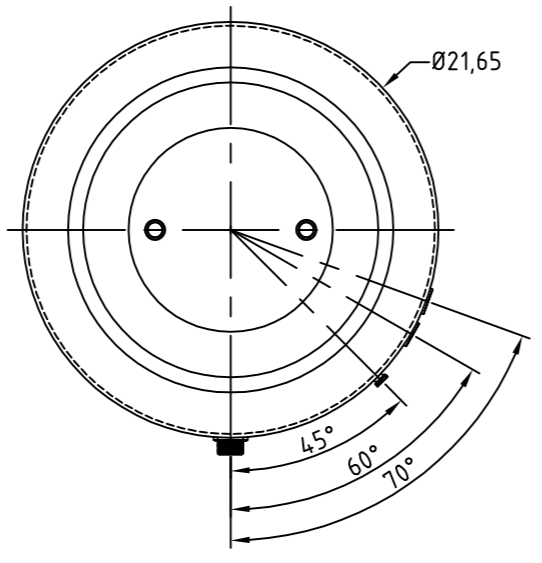
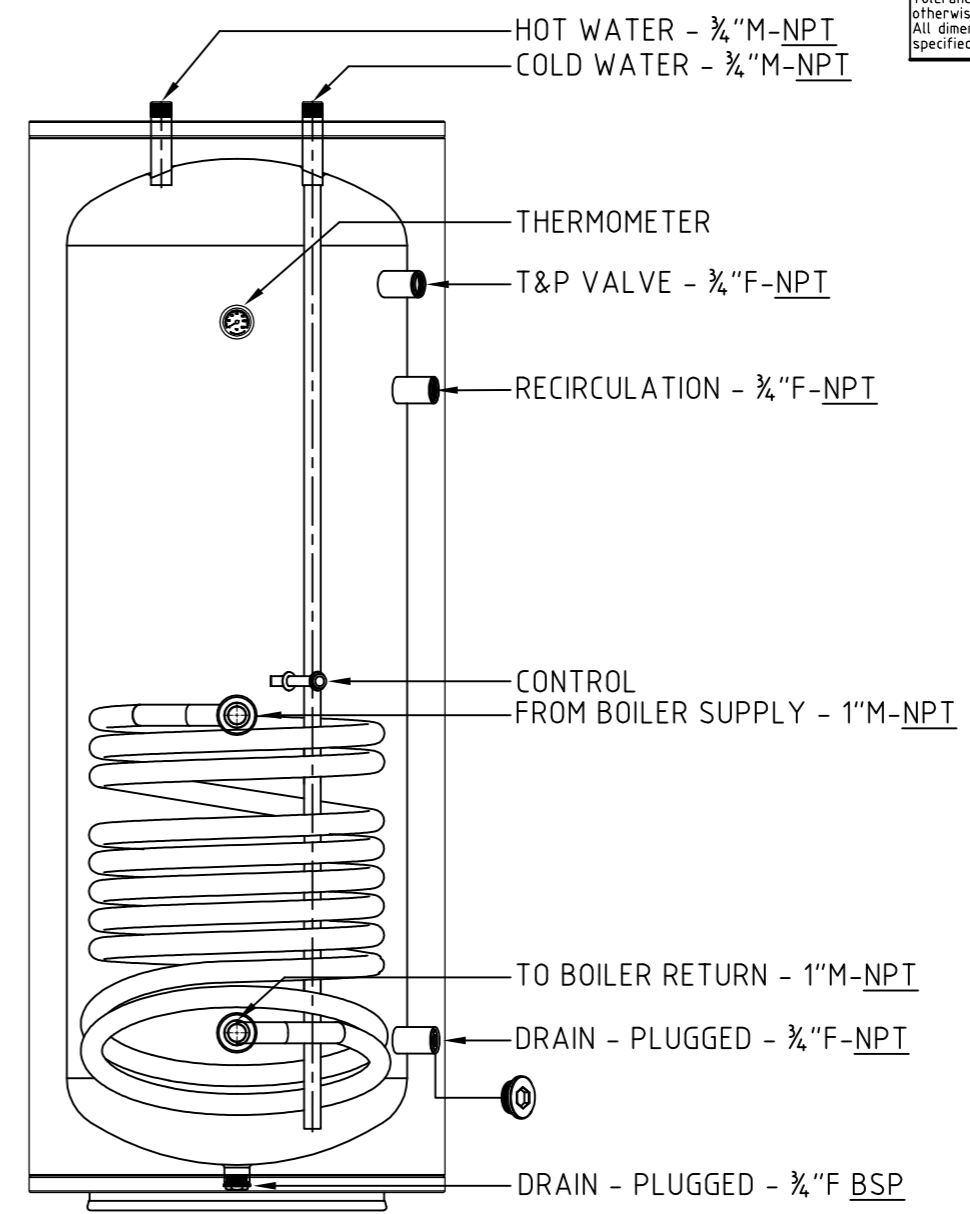
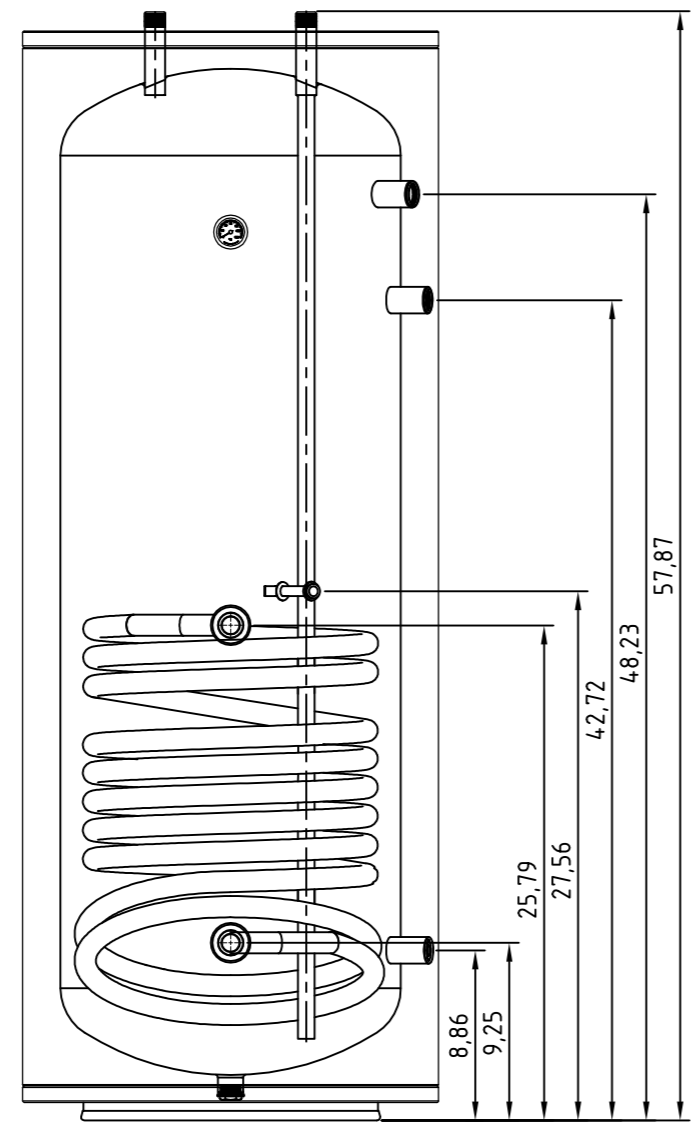


1 2 3 4 5 6 7 8

Dimensional Tolerances					
Total Height		Connections Length		Connections Height	
0-13.78	±0.12	0-0.39	±0.08	0-1.97	±0.04
13.78-29.53	±0.16	0.39-1.97	±0.12	1.97-9.84	±0.08
29.53-39.37	±0.20	1.97-3.94	±0.16	9.84-19.69	±0.12
39.37-59.6	±0.32	>3.94	±0.20	19.69-31.50	±0.16
>59.6	±0.39			31.50-47.24	±0.20
				47.24-59.06	±0.32
				59.06-78.74	±0.39
				>78.74	±0.47

Tolerances according to the table, unless otherwise specified.
All dimensions are in inches, unless otherwise specified.

A
B
C
D
E
F



Designed							
Drawn	22-03-2023	EKR 52-1	Stainless steel AISI 444		10 bar		
Checked		Model	Material		Max working pressure		
Scale	1:10		52 US Gal US Indirect Tank 1,0m ²		Replaces: - Replaced for: -		
			1 Quantity		Drawing		Rev.
					eng		Sheet
					1/1		

A
B
C
D
E
F

1 2 3 4 5 6 7 8 A3