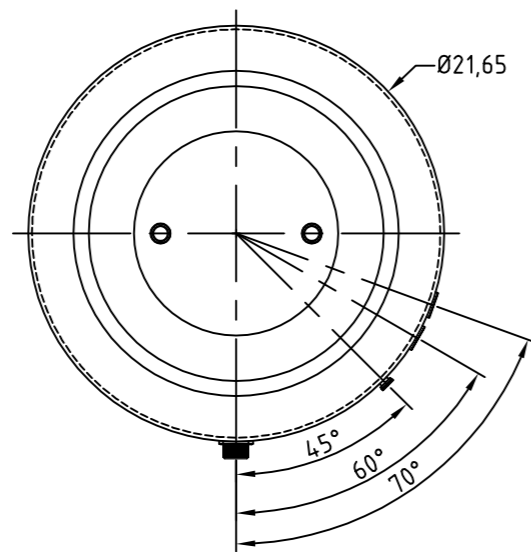
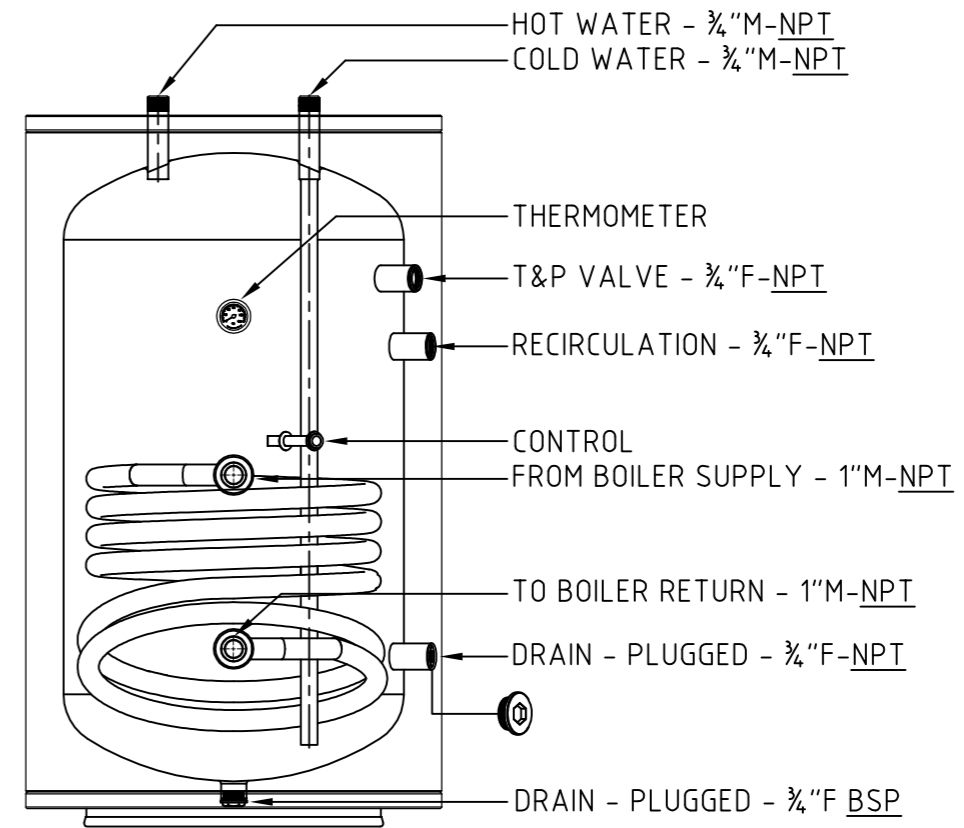
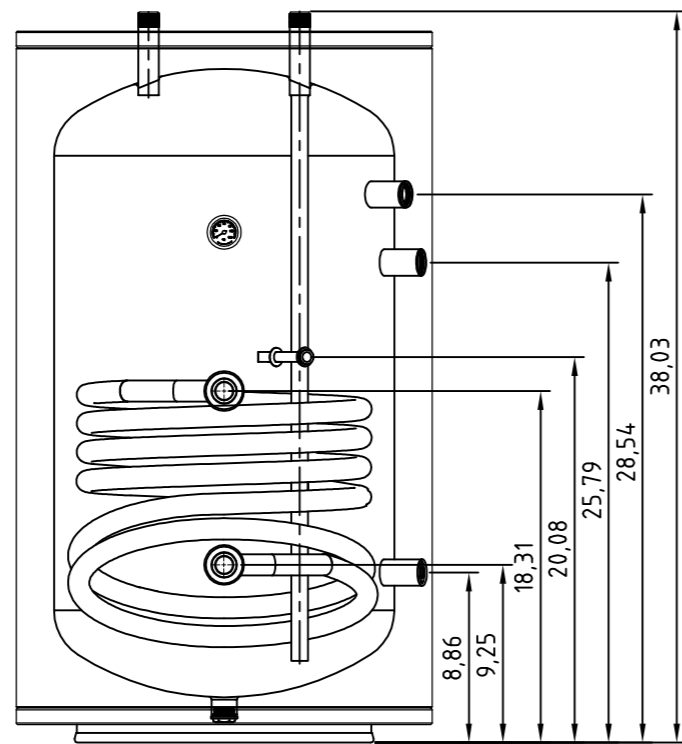


Dimensional Tolerances					
Total Height		Connections Length		Connections Height	
0-13,78	±0.12	0-0.39	±0.08	0-1.97	±0.04
13.78-29.53	±0.16	0.39-1.97	±0.12	1.97-9.84	±0.08
29.53-39.37	±0.20	1.97-3.94	±0.16	9.84-19.69	±0.12
39.37-59.6	±0.32	>3.94	±0.20	19.69-31.50	±0.16
>59.6	±0.39			31.50-47.24	±0.20
Tolerances according to the table, unless otherwise specified.				47.24-59.06	±0.32
All dimensions are in inches, unless otherwise specified.				59.06-78.74	±0.39
				>78.74	±0.47



Designed								
Drawn		22-03-2023	EKR 32-1	Stainless steel AISI 444		10 bar		
Checked			Model	Material		Max working pressure		
Scale				32 US Gal US Indirect Tank		1		Replaces: -
1:10				0,6m ²		Quantity		Replaced for: -
								Drawing
								Rev.
								Idiom
								Sheet
								eng 1/1