

Saga - S

200-300 l.

EN-FR

SAFETY INFORMATION
O&M INFORMATION
INSTALLATION MANUAL
TDS - TECHNICAL DATA SHEET





INFORMATIONS DE SÉCURITÉ
INFORMATIONS FDV
INSTRUCTIONS DE MONTAGE
FT - FICHE TECHNIQUE



CONTENTS

1. Safety instructions	2	4.2. Turning on the power	12
1.1 General information.....	2	4.3. Control points	12
1.2 Safety instructions for users	4	4.4. Emptying of water	12
1.3 Safety instructions for installers.....	4	4.5. Handover to end-user.....	12
2. Product description	5	5. User guide	13
2.1. Product identification.....	5	5.1. Settings.....	13
2.2. Intended use.....	5	5.2. Maintenance.....	13
2.3 Compliance	5	6. Troubleshooting	14
2.4 Technical data	5	6.1. Faults and fixes	14
3. Installation instructions	6	7. Warranty conditions	15
3.1. Products covered by these instructions	6	7.1. Warranty and registration	15
3.2. Included in delivery.....	6	7.2. Customer service.....	15
3.3. Product dimensions.....	6	8. Removing the product	15
3.4. Requirements for installation location	7	8.1. Removal.....	15
3.5. Pipe installation	8	8.2. Returns scheme	15
3.6. Electrical installation.....	10		
4. Initial commissioning	12		
4.1. Filling with water.....	12		

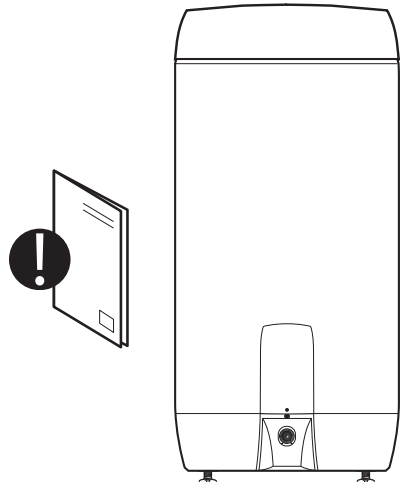
Symbols used in this manual:

 WARNING	Could cause serious injury or death
 CAUTION	Could cause minor or moderate injury or damage to property
	DO NOT
	DO

1. SAFETY INSTRUCTIONS

1.1 General information












- Read the following safety instructions carefully before installing, maintaining or adjusting the water heater.
- Personal injury or material damage may result if the product is not installed or used in the intended manner.
- Keep this manual and other relevant documents where they are accessible for future reference.
- The manufacturer assumes compliance (by the end-user) with the safety, operating and maintenance instructions supplied and (by the installer) with the fitting manual and relevant standards and regulations in effect at the date of installation.








 This document should be kept in a suitable place where it is accessible for future reference.

1.1.1 Important safety instructions

Warning - When using electrical appliances, electric shock, or injury to persons should be followed, including:
 basic safety precautions to reduce the risk of fire,

 WARNING	
	Read this manual and all labels and instructions on the water heater before installing and using this product. If there are difficulties understanding or following any of the instructions or there is doubt about any of the information, contact authorized personnel before proceeding.
	Before installation, inspect the product and its component parts for possible damage. DO NOT install a damaged product or component part, or repair any damaged component parts. If you detect any damage, contact the supplier.
	Incorrect installation, operation, maintenance or service can damage the product and its surroundings, including the building. Risks include fire, scalding, electric shock and explosion causing serious injury or death.
	This water heater must be grounded. Connect only to properly grounded outlet. See Grounding instructions in pt. 3.6.
	Install or locate this water heater only in accordance with the provided installation instructions. The product must be installed by a Certified Licenced Professional.
	Use this water heater only for its intended use as described in this manual.
	Do not use an extension cord set with this water heater. This water heater must be connected to a separate fuse branch circuit or suitable wall socket, see pt. 3.6.
	Do not operate this water heater if it has a damaged electrical cord, if it is not working properly, or if it has been damaged or dropped.
	This water heater should be serviced only by qualified service personnel. Contact nearest authorized service facility for examination, repair or adjustment.
	IF YOU SMELL SMOKE: Immediately turn off the power supply to the water heater If the smoke continues after turning the power off, contact your local fire department. When the smoke has stopped, contact a qualified service technician to identify and repair the problem.

1.1.2 General risks

 WARNING	
	Water contamination risk: Do not use chemicals that could contaminate the potable water supply. Do not use piping that has been treated with chromates, boiler seal or other chemicals.
	Fire risk: Reduce risk of fire, do not store items that can catch fire (paper, clothes etc.) on or next to the water heater. Do not store or use gasoline or other flammable materials, liquids and/or vapours in the vicinity of this or any other appliance. Make sure the junction box cover and all other covers are in place. Debris and objects entering the junction box may cause short circuits and might ignite.
	Explosion risk: The high pressure and water temperatures inside the water heater can cause an explosion resulting in property damage, serious injury or death when not properly maintained. Make sure the T&P safety valve is always in place and functioning, see pt. 1.2.
	CAUTION: Hydrogen gas can build up in a hot water system when not used for a longer period (two weeks or more). Hydrogen gas is extremely flammable. If the system has not been used for two weeks or more, open a hot water faucet for several minutes before using any electrical appliances connected to the hot water system. Do not have an ignition source near the faucet while open.

1.2 Safety instructions for users

⚠ WARNING	
⊘	The overflow from the safety valve must NOT be sealed or plugged. The valve must not be disconnected or removed from the product.
⊘	The product must NOT be covered in front of or near the junction box cover.
⊘	The product must NOT be modified or changed from its original state.
⊘	Fitting an external control unit managing the power supply to the product is NOT allowed without approval from the manufacturer.
⊘	Children must NOT play with the product or go near it without supervision.
❗	The product must be filled with water before the power is switched on.
❗	Maintenance/settings shall only be carried out by persons over 18 years of age, with sufficient understanding
⚠	The water heater can make water hot enough to cause severe burns instantly, which can result in severe injury or death. See warning label on product for details.
⚠	The product warranty does not cover any damage or defect caused by attachment, installation or use of any type of energy saving or other unapproved devices onto, into or in conjunction with the water heater. The use of unauthorized energy saving devices may shorten the lifespan of the product and can result in property damage, injury or death.
⚠ CAUTION	
⊘	The product must not be exposed to frost, over-pressure, over-voltage or chlorine treatment. See warranty provisions.
⊘	Maintenance/settings shall not be carried out by persons of diminished physical or mental capacity, unless they have been instructed in the correct use by someone responsible for their safety.

1.3 Safety instructions for installers

⚠ WARNING	
⊘	The overflow from the T&P valve must NOT be sealed or plugged. The valve must not be disconnected or removed from the product.
⊘	Fitting an external control unit managing the power supply to the product is NOT allowed without approval from the manufacturer.
❗	Any overflow pipe from the T&P valve MUST be ≥ 18 mm internal, uninterruptable, undamaged and frost-free fitted sloping towards drain.
❗	The mains cable must withstand 90°C/194°F. A strain reliever must be fitted.
❗	The product must be filled with water before the power is switched on. Never operate the water heater unless it is completely filled with water.
❗	The relevant regulations and standards, and this installation manual, must be followed.
⚠	The water heater can make water hot enough to cause severe burns instantly, which can result in severe injury or death. See warning label on product for details.
⚠ CAUTION	
❗	The product shall be placed in a room with drain to avoid any material damage in case of leakage. Liability for consequential damage will only apply if this is followed.
❗	The product shall be properly aligned vertically and horizontally, on a floor suitable for the total weight of the product when in operation. See 2.4.
❗	The product must have a clearance for servicing of minimum 40 cm in front of the junction box cover and sufficient space for servicing above the highest point.

2. PRODUCT DESCRIPTION

2.1 Product identification

Identification details for your product can be found on the type plate fixed to the product.

The product is designed and manufactured in accordance with CAN/CSA-C22.2 No.110-94.

The product is designed and manufactured in accordance with:

- Welding standard EN ISO 3834-2

The manufacturer is certified for

- Quality ISO 9001
- Environment ISO 14001
- Working environment ISO 45001

2.2 Intended use

The Saga series is designed to supply homes with hot running water.

2.3 Compliance

The product complies with standards for:

- Low voltage LVD 2014/35/EU
- Electromagnetic compatibility EMC 2014/30/EU
- Pressurised equipment PED 2014/68/EU

Any safety valve(s) used should be CSA approved.



2.4 Technical data

Product No.	Product code:	Capacity persons	Weight kg.	Diameter x Height mm.	Freight vol. m ³	Volume L	Heat loss W
21230701	S 200 - 3 kW/1x240V	3,5	39	ø580x1260	0,47	193	66
21230711	S 200 - 4,8 kW/1x240V		39	ø580x1260	0,47	193	66
21230801	S 300 - 3 kW/1x240V	5,5	51	ø580x1710	0,63	281	86
21230811	S 300 - 4,8 kW/1x240V		51	ø580x1710	0,63	281	86

3. INSTALLATION INSTRUCTIONS

3.1 Products covered by these instructions

21230701	Saga - S 200 - 3 kW
21230711	Saga - S 200 - 4,8 kW
21230801	Saga - S 300 - 3 kW
21230811	Saga - S 300 - 4,8 kW

3.2 Included in delivery

Ref no.	Number of	Description
1	1	Top cover (factory fitted)
2	1	Inlet/outlet combination (factory fitted)
3	1	T&P relief valve (factory fitted)
4	1	Anode (factory fitted)
5	1	Installation manual (this document)
6	1	Water heater
7	1	Thermostat
8	1	Heating element
9	1	Drain valve (factory fitted)
10	3	Feet (factory fitted)

3.3 Product dimensions

All dimensions in mm.

Product.	A	B	C	D	E	ø
S 200	0-40	1260	1210	125	655	580
S 300	0-40	1710	1660	125	655	580

Tolerance +/- 5 mm. (not dimension A).

3.3.1 Risks during installation and maintenance

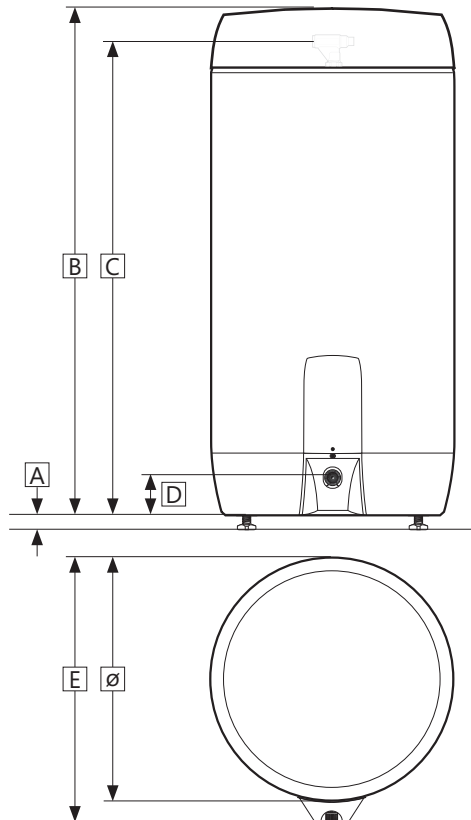
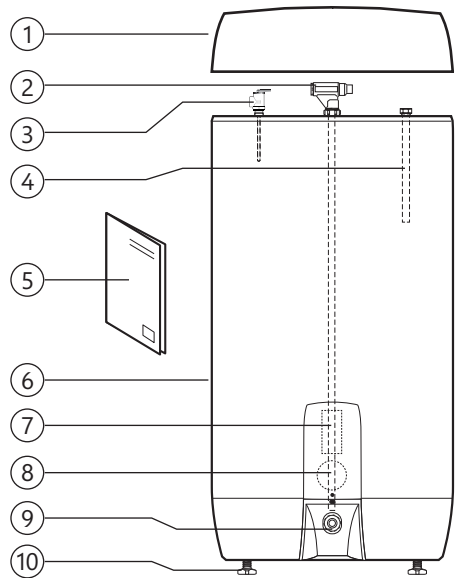
Electric shock risk:

Contact with electrical parts can result in severe injury or death. Always disconnect the power supply before servicing and ensure it is secured against activation while the work is in progress

Lifting risk:

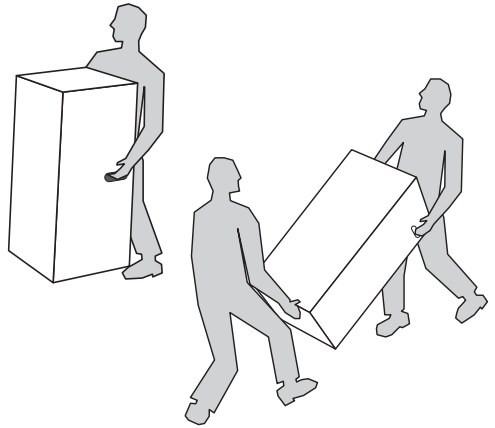
The water heater is heavy. Obey the following precautions to reduce the risk of property damage and/or personal injury:

- Do not unpack the product until it is situated in its final location.
- At least two people should lift the water heater.
- Be sure both persons has good grip before lifting.
- Use an appliance dolly or hand truck to move the product over longer distances.



3.3.2 Delivery

The product should be transported carefully as shown, with packaging. Use the handles in the box. The product is heavy. Take all necessary precaution to avoid injury while handling the product, see pt. 3.3.1..



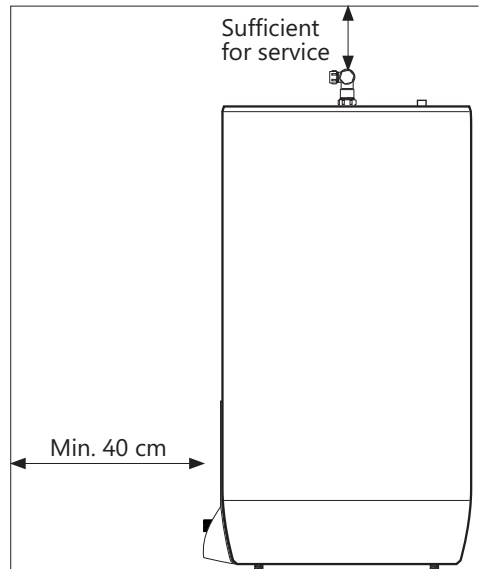
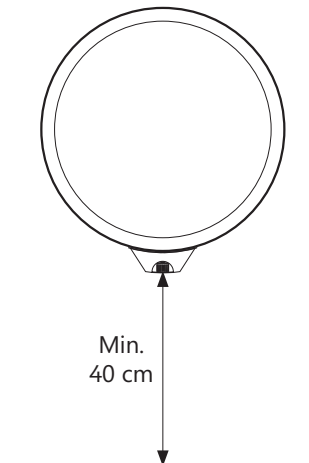
⚠ CAUTION

Pipe stubs, valves etc. should not be used to lift the product as this could cause product malfunctions.

3.4 Requirements for installation location and positioning

⚠ CAUTION

❗	The product shall be placed in a room with drain to avoid any material damage in case of leakage. Liability for consequential damage will only apply if this is followed.
❗	The product shall be placed in a dry and permanently frost-free position.
❗	The product shall be placed on a floor suitable for the total weight of the product when in operation. See data plate.
❗	The product must have a clearance for servicing of minimum 40 cm in front of the junction box cover and sufficient space for servicing above the highest point.
❗	The product shall be easily accessible in the home for servicing and maintenance.



3.5 Pipe installation

The product is designed to be permanently connected to the mains water supply. Approved pipes of the correct size should be used for installation. The relevant standards and regulations must be followed.

Product.	COLD WATER	HOT WATER	Overflow (2)	Anode (3)
S 200 - 300	ø22 mm ring clamp	ø22 mm ring clamp	3/4" internal	3/4" internal

3.5.1 Incoming water pressure

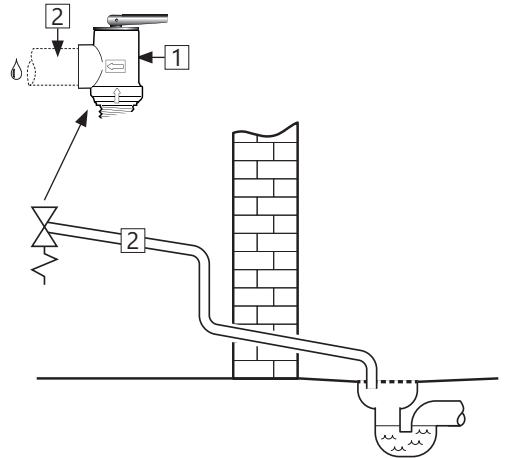
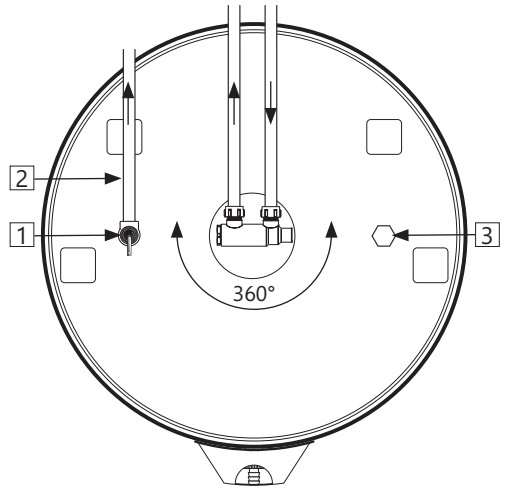
The efficiency of the product depends on the incoming cold water pressure. The water pressure should be min. 2 bar and max. 6 bar throughout the day. Excessive water pressure can be adjusted by installing a pressure reduction valve.

3.5.2 Fitting cold and hot water copper pipes (CW-HW) and overflow pipe

- A) Turn the inlet/outlet combination to the desired position.
- Tighten compression fitting to the cylinder (see 3.5.4)
- B) CW and HW pipes of a suitable size and quality should be led to the inlet/outlet combination and tightened. (see 3.5.4).
- For larger pipes, a connector can be used.
- C) Overflow pipe (2) ≥ 18 mm inside run to the T&P valve (1);
- Connection 3/4" internal thread.
 - Uninterruptable, undamaged and frost-free sloping downwards to the drain/gully.

3.5.3 Anode

The product is fitted with an anode (3) to protect against chloridic water. The anode is factory fitted. For more information and maintenance see pt. 5.2.



3.5.4 Torque settings

Component	Torque
Compression fitting to CW/HW copper pipes (ø22)	40 Nm (+/- 3)
Compression fitting to cylinder (ø22)	60 Nm (+/- 5)

3.5.5 Fitting instructions

⚠ WARNING

- ❗ The product must be filled with water before the power is switched on.
- ❗ Any overflow pipe from the safety valve **MUST** be $\geq \text{Ø}18$ mm inside, uninterrupted, undamaged and frost-free sloping downwards to the drain/gully.

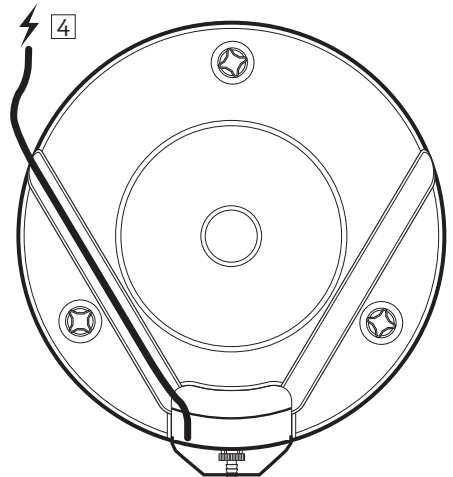
⚠ CAUTION

- ❗ The product shall be placed in a room with drain to avoid any material damage in case of leakage. Liability for consequential damage will only apply if this is followed.
- ❗ The product shall be properly aligned vertically and horizontally, on a floor suitable for the total weight of the product when in operation. See 2.4.
- ❗ The product must have a clearance for servicing of minimum 40 cm in front of the junction box cover and sufficient space for servicing above the highest point.

3.5.6 Installation recommendation

RECOMMENDATION

- Mains power cable (4) should be hidden under the channels in the bottom of the product.
- If a non-return valve is fitted, a reduction valve and expansion vessel shall be fitted to prevent dripping from the T&P valve.
- If the maximum water pressure exceeds 6 bar in a 24-hour period, a pressure reduction valve and expansion vessel shall be fitted.
- For installation in a room without drain a watertight drip tray with overflow pipe ≥ 18 mm. internal diameter should be fitted under the product, in addition to an automatic stop valve with sensor. This can prevent possible material damage.



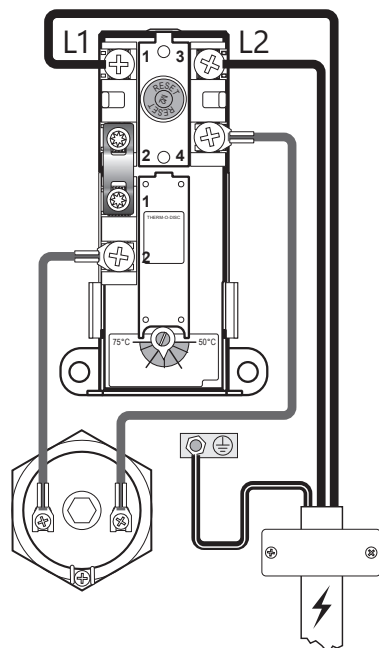
3.6 Electrical installation

This water heater must be connected to a separate fuse branch circuit or to a suitable wall socket. For permanently connection the screw terminals L1 and L2 can be wired in the field PROVIDED THAT a trained field technician is involved to make sure wires to be securely connected to the screw terminals according to the requirements of end-use appliance standard. See the data plate on the product for the element wattage/voltage and make sure the power supply wiring and fusing/circuit breaker are the correct type and size for this product.

Fitting or retrofitting an external power supply control unit to the product or its power supply must only be performed by an authorized electrician. The control unit must be approved by the product manufacturer.

The relevant standards and regulations must be followed.

This water heater must be electrically grounded in accordance with all local codes, or in the absence of local codes, CSA C22.1 Canadian Electrical Code. *Failure to properly ground this product can result in property damage, personal injury or death.*



Electrical connection 3 kW

3.6.1 Electrical components

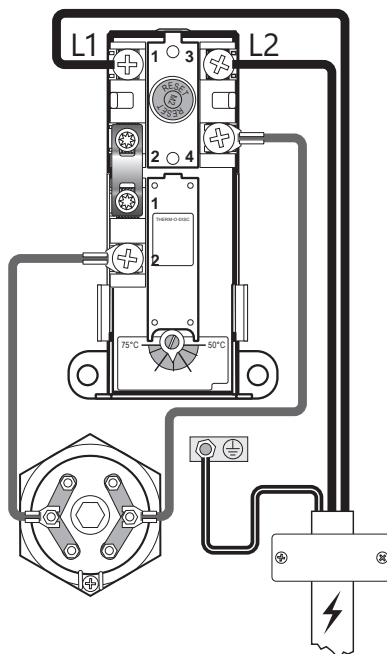
Component	Note
Safety thermostat	85°C thermal cut-out 185°F thermal cut-out
Work thermostat	45-75°C adjustable 113-167°F adjustable
Heating element	1-phase 240 V
Internal wires	Heat-resistant

3.6.2 Electrical connections in the junction box

⚠ WARNING

Constant voltage present at terminals L1 and L2. Before any electrical work is done, the power supply must be disconnected and secured against activation while the work is in progress.

- A) Red wire (L1) – connected to point '1' on the safety thermostat.
- B) Black wire (L2) – connected to point '3' on the safety thermostat.
- C) Yellow wire with green stripe (⊕) – Earth – connected to the terminal on the heating



Electrical connection 4,8 kW








element (hexagonal brass)

D) Internal wires from the element to the thermostat are connected to point '4' on the safety thermostat and point '2' on the operating thermostat. See illustration.

3.6.3 Torque settings

Component	Torque
G 1.1/4" heating element	60 Nm (+/- 5)
Thermostat screws	2 Nm (+/- 0.1)
Screw on the element head	2 Nm (+/- 0.1)

3.6.4 Fitting instructions

 WARNING	
	Fitting an external control unit managing the power supply to the product is NOT allowed without approval from the manufacturer.
	The product must be completely filled with water before the power is switched on.
	Do not remove the junction box cover until the power supply to the product is switched OFF.
	Do not attempt to repair or replace any electrical component installed in the product before the power supply is switched OFF.
	Do not use the product with a voltage other than what is specified on the product data plate.
	Do not connect the power supply wiring to anywhere other than the product's main power connection. DO NOT bypass the safety thermostat.

 CAUTION	
	The product must have a clearance for servicing of minimum 40 cm in front of the junction box cover and sufficient space for servicing above the highest point.

3.6.5 Fitting recommendation

RECOMMENDATION	
-	Mains cable should be hidden under one of the channels in the bottom of the product, see pt. 3.5.6.
-	Always follow local codes or CSA C22.1 Canadian Electrical Code.

4. INITIAL COMMISSIONING

4.1 Filling with water

First check that all pipes are connected correctly. Then proceed as follows:

- A) Open a hot tap – leave it open
- B) Open the cold water supply to the product.

Check that the water from the open hot water tap is flowing freely, without any air gaps.

- A) Close hot tap.

4.2 Turning on the power

When the water heater has been completely filled with water, the power can be switched on.

- A) Turn on switch/breaker.

4.3 Control points

- A) Check that all pipe connections to/from the product are tight and not leaking.
- B) Check that the power supply to the product is not at risk of exposure to mechanical, thermal or chemical damage, and is not connected to a non approved power supply control unit.
- C) Check that any overflow pipe from the safety valve is uninterrupted, undamaged and frost-free fitted sloping towards the drain.
- D) Check that the product is standing firmly vertically and horizontally.

4.4 Emptying of water

- A) Disconnect the power supply. Do not drain the water heater unless the power supply has been turned off and secured against activation during the draining process.
- B) Shut off incoming cold water supply.
- C) Open a hot tap to the maximum and leave open (prevents vacuum).
- D) Remove the cover at the drain valve (2) by loosening the screw (5).
- F) Connect a hose to the nozzle on the drain valve. Place the other end of the hose outside, in a drain or in buckets. Turn the screw on the drain valve (3) approx. 90 degrees to the open position using a screwdriver. The product is drained.

After draining, close the drain valve (3) by turning the screw 90 degrees to the closed position. Close all open taps. Refit the cover (2) at the drain valve. Refilling, see pt. 4.1.

DO NOT turn the power to the water heater back on until it is completely filled with water. Failure to comply will void the guarantee.

⚠ WARNING

The water temperature in the product is 70°C/158°F and could cause scalding. Before emptying, a hot tap should be opened to the max. pressure/temperature for min. 3 minutes.

4.5 Handover to end-user

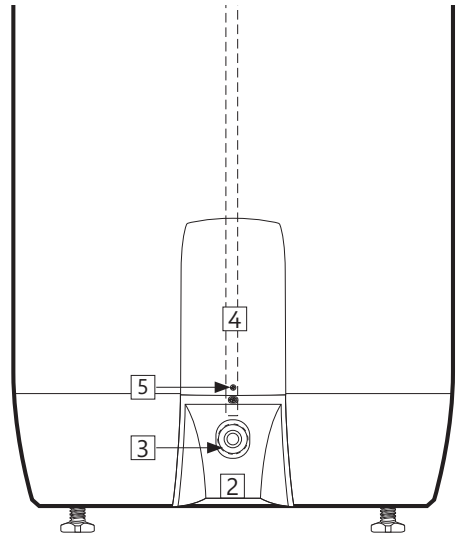
THE INSTALLER MUST:

Brief the end-user on safety and maintenance instructions.

Brief the end-user on settings and emptying the product.

Hand this installation manual over to the end-user.

Enter contact details on the data plate on the product.



⚠ WARNING

The water heater should not be turned on unless all conditions shown under pt. 1 are followed. Failure to comply may cause property damage, serious injury or death.

5. USER GUIDE

5.1 Settings

5.1.1 Thermostat setting

The thermostat on the product is adjustable from 45-75°C/113-167°F. The thermostat should not be set lower than 65°C/149°F to prevent bacteria growth.

⚠ WARNING

Increasing the water temperature in the water heater increases risk of scalding.

To adjust the temperature:

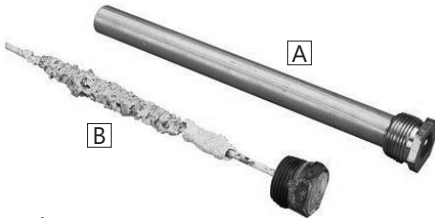
- A) Disconnect the power supply.
- B) Remove the junction box cover (4) by unscrewing the fastening screw (5).
- C) Adjust the temperature on the thermostat (7) with a screwdriver.

Re-fit the junction box cover before connecting the power supply.

5.1.2 Resetting the safety thermostat

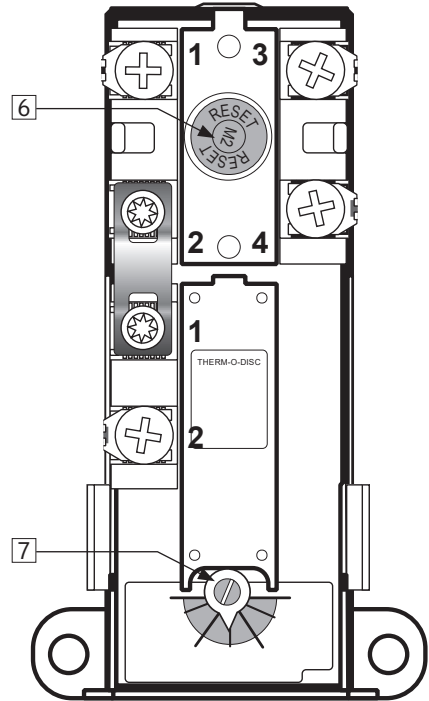
The safety thermostat on the product cuts out when there is a risk of overheating. This is reset by removing the cover and pressing the red 'RESET' button (6). If the thermostat cuts out repeatedly, contact the installer.

5.1.3 Anode (also see pt. 5.2)



⚠ WARNING

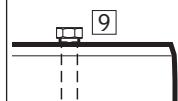
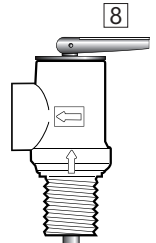
Constant voltage present in the junction box. Before any electrical work is done, the power supply must be disconnected and secured against activation while the work is in progress.



5.2 Maintenance

MAINTENANCE INSTRUCTIONS

ⓘ	Maintenance should be carried out by persons over 18 years of age, with sufficient understanding
ⓘ	Annual inspection of T&P valve:
-	Open valve for 1 min. by lifting the lever (8) approx. 90 degrees to the open position. CAUTION: Hot water will be released from the valve.
-	Visually check that the water is flowing freely to the drain.
-	YES = OK. Close the valve by setting the lever (8) back to the closed position.
-	NO = NOT OK. Disconnect power supply and shut off water supply. Contact installer or a Certified Licenced Professional.
-	Annual inspection of anode (9), first time after 6 months in service: Turn off power and water supply. Release water pressure by opening a hot water faucet. Unscrew anode, lift and inspect. Replace if anode is depleted (see illustration 'B' above). Illustration 'A' (above) shows a new anode.



6. TROUBLESHOOTING

6.1 Faults and fixes

If problems arise when the product is in use, check for possible faults and fixes in the table. If the problem is not shown in the troubleshoot-

ing table or you are unsure what is wrong, contact the installer (see type plate on the product) or King Heating Products - see section 7.1.

TROUBLESHOOTING		
Problem	Possible cause of fault	Possible solution
There is leakage/dripping from the safety valve/there is often water on the floor by the cylinder in the morning	Pressure reduction valve, water meter or blocked non-return valve on the water intake.	Fit expansion vessel which absorbs expansion during heating, and fit pressure reduction valve for stable water pressure inside the home. The pressure reduction valve is adjusted in according to the pressure in the expansion vessel. Contact auth. installer.
	Water pressure into the home is too high.	
	The T&P valve is worn or there are particles stuck between the membrane and the valve seat because the water is dirty	Try to flush with water through the T&P valve. Open valve approx. 1 minute. See section 5.2. If the valve still leaks, it must be replaced. Contact auth. installer.
	Leak from heating element.	Verify as follows: a) cut the electric supply, b) unscrew the cover, c) visually check whether there is a leak from the heating element. If so, replace the gasket/heating element. Contact authorized installer.
No hot water	Power supply interrupted.	Verify that the fuse is on / the earth breaker has not tripped.
	Thermostat has cut out.	Press the 'RESET' button on the safety thermostat; see 'User guide'.
	Heating element is defective.	Replace heating element. Contact authorized installer.
	Leak in hot water pipe	Verify as follows: a) wait 2-3 hours, b) feel the inlet/outlet combination to see whether it is hot. If so, there is a leak in the hot water pipe or elsewhere. Contact authorized installer.
Not enough hot water	High consumption in the home.	Raise the temperature on the thermostat to 70°C/158°F; see 'User guide'.
		Switch to a larger water heater. Contact authorized installer.
Not high enough temperature	The thermostat is set for low temperatures.	Raise the temperature on the thermostat to 70°C/158°F; see 'User guide'.
	Change from cold to hot water in taps.	Contact auth. installer.
Fuse/earth breaker trips repeatedly	Possible fault in the heater's electrical system.	Verify as follows: a) cut the electric supply, b) unscrew the cover, c) visually check the junction box for any problems. If so, contact auth. installer to check. Fit the cover.
Long time before the water reaches the tap	Long stretch of pipe from water heater to tap.	Fit circulation loop or heating cable to HW pipe. Or fit an auxiliary heater by the tap. Contact auth. installer.
Knocking in the pipes when the hot tap is closed	Large pressure increase when the tap is closed quickly.	Completely normal. Fit expansion vessel if troublesome. Contact auth. installer.

7. WARRANTY CONDITIONS

CUSTOMER will receive good and valid title to the Contractual Products, free and clear of all encumbrances.

SUPPLIER warrants for 2 years from the date of purchase, that the Product will: i) conform to SUPPLIER's specification, and ii) be free from defects in materials and workmanship, subject to conditions below. To be eligible for warranty the customer has to arrange the return of an installation and the mandatory information required by the OSO std warranty form.

All components other than the stainless steel inner tank described below carry a 2-year warranty.

The warranty is 7 years for the stainless steel inner tank. The conditions and limitations set out below shall apply.

Coverage: If a defect arises and a valid claim is received within the warranty period, SUPPLIER shall, at its option, as its sole liability and responsibility to CUSTOMER, ei-ther; i) repair the defect, or; ii) replace the product with a product that is identical or similar in function, or; iii) refund the purchase price. Any exchanged Product or component will become the legal property of SUPPLIER. Any valid claim or service does not extend the original warranty. The replacement Product or part does not carry a new war-ran-ty. Under no event or circumstance will SUPPLIER have any liability or obligation under contract or otherwise to any end customer of CUSTOMER with respect to any Product and all rights of such end customers shall be determined exclusively through their agreements with CUSTOMER and be limited to claims against CUSTOMER.

Conditions: The Product is manufactured to suit most public water supplies. However, there are certain water chemistries (outlined below) that can have a detrimental effect on the Product and its life expectancy. If there are uncertainties regarding water quality, the local water supply authority can supply the necessary data. SUPPLIER's warranties apply only if the conditions set out below are met in full.

The Product has been installed by a professional installer, in accordance with the instructions in the installation manual, in accordance with any training programs or procedures provided by SUPPLIER to CUSTOMER, and in compliance with all relevant Codes of Practice and Regulations in force at the time of installation. [NTD: CUSTOMER to identify local regulations and requirements governing installation, operation and use of the products].

The Product has not been modified in any way, tampered with or subjected to misuse and no factory fitted parts have been removed for unauthorized repair or re-placement, including being fitted with an external power supply control unit not approved by the manufacturer.

The Product has only been connected to a water supply in compliance with the applicable legislations. The water should not be aggressive, i.e. the water chemistry shall comply with the following:

- | | |
|----------------------------------|----------------|
| Chloride | < 250 mg / L |
| Electric Conductivity (EC) @25°C | @ 750 µS / cm |
| Saturation Index (LSI) @80°C | > -1,0 / < 0,8 |
| pH level | > 6,0 / < 9,5 |
- The immersion heater has not been exposed to hardness levels exceeding 5°dH (180 ppm CaCO3). A water softener is recommended in such cases.
 - Any disinfection has been carried out without affecting the Product in any way whatsoever. The Product shall be isolated from any system chlorination.
 - The Product has been in regular use from the date of installation. If the Product is not intended to be used for 60 days or more, it must be drained. Service and/or repair shall be done according to the installation manual and all relevant codes of practice. Any replacement parts shall be original spare parts.
 - A water sample, installation site and product identification is mandatory if the products are reported as defective. The defective product shall be made available to SUPPLIER upon request.
 - The warranty is not valid if original spareparts are not used.
 - The warranty conditions may change, the valid conditions are always posted on the www.osohotwater.com.
 - Failure to follow these instructions and conditions will void the warranty above and may also result in product failure, and water escaping from the Product.

Limitations: The warranty does not cover:

- Reasonable wear and tear in the use of the Product by CUSTOMER'S end customer.
- Any fault or costs arising from incorrect installation, incorrect application, lack of regular maintenance in accordance with the installation manual, neglect, accidental or mal-icious damage, misuse, any alteration, tampering or repair carried out by a non-professional, any fault arising from the tampering with or removal of any factory fitted safety components or measures, or any non-compliance or breach of any law, regulation or rule under the laws of the jurisdiction of CUSTOMER with respect to the installation, operation or use of the Product.
- Any consequential damage or any indirect loss caused by any failure or malfunction of the Product whatsoever.

7.1 Customer service

In case of problems that cannot be resolved with the aid of the troubleshooting guide in this installation manual, contact either:

- A) The installer who supplied the product.
- B) King Heating Products: hello@kingheatingproducts.com.

8. REMOVING THE PRODUCT

8.1 Removal

- A) Disconnect the power supply.

- Any pipework or any equipment connected to the Product.
- The effects of frost, lightning, voltage variation, lack of water, dry boiling, excess pressure or chlorination procedures as well as fitting of a non-approved power supply control unit.
- The effects of stagnant (de-aerated) water if the Product has been left unused for more than 60 days consecutively.
- Damage caused during transportation. CUSTOMER shall give the carrier notice of such damage.
- Costs arising if the Product is not immediately accessible for servicing.

SUPPLIER shall warrant that the Contractual Products supplied do not infringe any industrial property rights of third parties. In the event that industrial property rights of third parties are however infringed, SUPPLIER shall, at CUSTOMER'S first request, indemnify, defend and hold harmless CUSTOMER, provided that such indemnity shall be fully satisfied and discharged if SUPPLIER obtains at no additional cost to CUSTOMER, on a timely basis, the right of continued use of such Contractual Products, or an alternative product provided by SUPPLIER that provides substantially the same capabilities and performance, and is non-infringing of such third party rights.

Recall, Liability, Insurance

Recall

If any governmental or regulatory authority issues a request, directive or order that any Contractual Products covered by this Agreement be recalled or withdrawn, or any court of competent jurisdiction orders a recall or withdrawal, CUSTOMER will take all appropriate corrective actions to set into effect such recall or withdrawal. SUPPLIER shall in-demnify CUSTOMER, subject to the limitations set forth in this Agreement, for the reasonable direct costs of such recall. The reasonableness of the costs incurred shall be determined in good faith, taking into account the reasons for such recall and the implementation.

Limitation of Liability

In no event shall supplier be liable for any consequential, indirect, incidental, special or exemplary or punitive damages, lost profits or revenues or diminution in value, arising out of or relating to any breach of these terms, whether or not the possibility of such damages has been disclosed in advance or could have been reasonably foreseen, regardless of the legal or equitable theory (contract, tort or otherwise) upon which the claim is based.

In no event shall supplier's aggregate liability arising out of or related to this agreement, whether arising out of or related to breach of contract, tort (including negligence) or otherwise, exceed the total of the amounts paid to supplier for the contractual products sold hereunder.

Without limiting or restricting the foregoing:

As to consequential damages resulting from a defect in the Products delivered by SUPPLIER (product liability), SUPPLIER is liable only to the extent of the mandatory provisions of the law (if any).

Under no conditions shall SUPPLIER be liable for any operating losses, loss of time, loss of profit or other indirect losses and repercussions caused by the delivery by SUPPLIER of a defective Product to the Customer.

CUSTOMER warrants that if the Products are sold to consumers, that CUSTOMER will uphold all relevant laws applicable to such sale ("Consumer Laws") in the relevant jurisdiction. SUPPLIER shall, to the extent allowed by mandatory provisions of the law, not be held liable for any losses suffered by consumers due to CUSTOMER'S breach of applicable Consumer Laws.

The CUSTOMER is responsible for ensuring that the purchased Product may legally be used in the approved Territory outlined in Annex 2 and for the purposes intended by the CUSTOMER, including obtaining any required approval of the Products by public authorities or individuals for import and use.

SUPPLIER'S Product Liability Insurance

To safeguard against SUPPLIER'S liability risks under or in connection with the present Agreement, SUPPLIER, or its designated manufacturer, shall maintain appropriate product liability insurance containing terms and conditions consistent with industry practice determined by SUPPLIER in its sole discretion. At CUSTOMER'S request, SUPPLIER shall provide the basic data of such insurance policy, including a copy of such policy if requested, as well as evidence of the amount and payment of premium payments due for such policy.

CUSTOMER'S Insurance

To safeguard against CUSTOMER'S liability risks under or in connection with the pre-sent Agreement, and its liability risks associated with the installation, operation and use by its end customers of purchased Product, CUSTOMER, on its own behalf and on behalf of CUSTOMER GROUP, shall conclude and maintain commercial property & casualty insurance (including errors & omissions insurance) containing terms and conditions consistent with industry practice determined by CUSTOMER in its sole discretion which shall provide coverage of at least EUR 3,000,000 (three million Euros). At SUPPLIER'S request, CUSTOMER shall provide the basic data of such insurance policy, including a copy of such policy if requested, as well as evidence of the amount and payment of premium payments due for such policy.

- B) Shut off incoming cold water supply.
- C) Empty the product of water – see pt. 4.4.
- D) Disconnect all pipes.
- E) The product can now be removed.

8.2 Returns scheme

This product is recyclable and should be taken to the environmental recycling centre. If the product is to be replaced with a new one, the installer should be able to take the old cylinder away for recycling.



www.kingheatingproducts.com

King Heating Products

Head Office

#103 - 2567 192 St., Surrey, BC, V353X1

Tel: 604.385.3265

Email: hello@kingheatingproducts.com

Open: 8am - 4:30pm PST Mon - Fri

Ontario Office

49 Craig St., Brantford, ON N3R 7H8

Open: 8am - 4:30pm EST Mon - Fri

Manufactured by OSO Hotwater AS

Industriveien 1 - 3300 Hokksund - Norway

Tel.: +47 32 25 00 00 / Fax: +47 32 25 00 90

E-mail: oso@oso.no / www.osohotwater.com

© This installation manual and all its content is protected by copyright and may be reproduced or distributed only with written consent from the manufacturer. We reserve the right to make changes without notice.

© Toutes les sections des présentes instructions de montage sont protégées par le droit d'auteur et ne peuvent pas être reproduites ni distribuées sans le consentement écrit préalable du fabricant. Sous réserve de modifications.

Saga – S

200-300 l.

FR





INFORMATIONS DE SÉCURITÉ
INFORMATIONS FDV
INSTRUCTIONS DE MONTAGE
FT - FICHE TECHNIQUE



SOMMAIRE

1. Consignes de sécurité	2	4. Première mise en service	12
1.1 Renseignements d'ordre général	2	4.1. Remplissage d'eau.....	12
1.2 Consignes de sécurité pour l'utilisateur	4	4.2. Mise sous tension.....	12
1.3 Consignes de sécurité pour les installateurs	4	4.3. Points de contrôle.....	12
2. Description du produit	5	4.4. Vidange de l'eau	12
2.1. Identification du produit.....	5	4.5. Transfert à l'utilisateur final.....	12
2.2. Utilisation conforme à l'usage prévu	5	5. Guide de l'utilisateur	13
2.3 Conformité	5	5.1. Réglages	13
2.4 Données techniques	5	5.2. Entretien.....	13
3. Instructions d'installation	6	6. Dépannage	14
3.1. Produits pour lesquels ces instructions		6.1. Dysfonctionnements et réparations.....	14
s'appliquent	6	7. Conditions de garantie	15
3.2. Inclus dans la livraison.....	6	7.1. Garantie et enregistrement	15
3.3. Dimensions du produit.....	6	7.2. Service après-vente	15
3.4. Exigences relatives au lieu d'installation ...	7	8. Retrait du produit	15
3.5. Installation de tuyauterie.....	8	8.1. Retrait.....	15
3.6. Installation électrique.....	10	8.2. Programme de recyclage.....	15

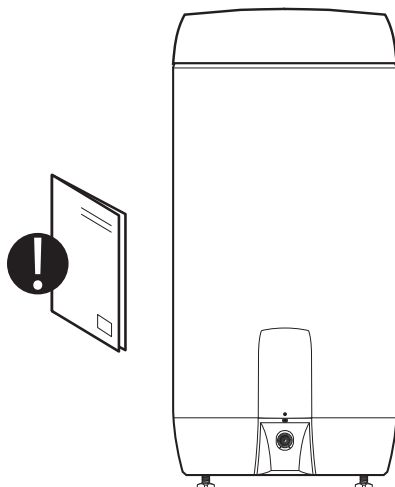
Symboles utilisés dans ce manuel :

 ATTENTION	Peut causer des blessures graves voire entraîner la mort
 AVERTISSEMENT	Peut causer des blessures légères ou modérées ainsi que des dommages matériels
 À ÉVITER	
 RECOMMANDÉ	

1. CONSIGNES DE SÉCURITÉ

1.1 Renseignements d'ordre général





- Lire attentivement les consignes de sécurité suivantes avant de procéder à l'installation, à l'entretien ou au réglage du chauffe-eau.
- Des blessures corporelles ou des dommages matériels peuvent survenir si le produit n'est pas installé ou utilisé comme il se doit.
- Pour toute référence ultérieure, conservez ce manuel ainsi que les autres documents pertinents dans un endroit facilement accessible.
- Le fabricant part du principe que l'utilisateur final respecte les consignes de sécurité, d'utilisation et d'entretien fournies et que l'installateur respecte le manuel d'installation et les normes et réglementations en vigueur à la date de l'installation.









1.1.1 Importantes consignes de sécurité

Avertissement - Lors de l'utilisation d'appareils électriques, des précautions de sécurité de base











pour réduire le risque d'incendie, d'électrocution ou de blessures pour les personnes doivent être suivies, notamment:




 ATTENTION	
	Lisez ce manuel et toutes les étiquettes et instructions sur le chauffe-eau avant d'installer et d'utiliser ce produit. Si vous rencontrez des difficultés à comprendre ou suivre les instructions ou si vous avez un doute au sujet d'une des informations, contactez le personnel agréé avant de procéder.
	Avant l'installation, inspectez le produit et ses composants pour déceler d'éventuels dommages. NE PAS installer un produit ou un composant endommagé, ou réparer les composants endommagés. Si vous décelez des dommages, contactez le fournisseur.
	Une installation, une exploitation, un entretien ou une maintenance incorrects peuvent endommager le produit et son environnement, y compris le bâtiment. Les risques comprennent l'incendie, les brûlures, l'électrocution et l'explosion pouvant causer des blessures graves ou la mort.
	Ce chauffe-eau doit être mis à la terre. Brancher uniquement à une prise de courant correctement mise à la terre. Voir les Instructions de mise à la terre au point 3.6.
	Installer ou positionner ce chauffe-eau uniquement conformément aux instructions d'installation fournies. Le produit doit être installé par un professionnel agréé.
	Utiliser ce chauffe-eau uniquement pour son utilisation prévue comme décrit dans ce manuel.
	Ne pas utiliser de cordon d'extension avec ce chauffe-eau. Ce chauffe-eau doit être relié à un circuit indépendant dans le panneau électrique ou à une prise murale appropriée, voir point 3.6.
	Ne pas utiliser ce chauffe-eau s'il a un cordon électrique endommagé, s'il ne fonctionne pas correctement, ou s'il a été endommagé ou est tombé.
	Ce chauffe-eau doit être entretenu uniquement par un personnel d'entretien qualifié. Contactez le centre de réparation autorisé le plus proche pour vérification, réparation ou réglage.
	SI VOUS SENTEZ DE LA FUMÉE : Éteignez immédiatement l'alimentation du chauffe-eau. Si la fumée persiste après l'arrêt de l'alimentation, contactez votre service incendie local. Lorsque la fumée s'est arrêtée, contactez un technicien de maintenance qualifié pour identifier et résoudre le problème.

1.1.2 Risques généraux









 ATTENTION	
	Risque de contamination de l'eau : Ne pas utiliser de produits chimiques qui pourraient contaminer l'approvisionnement en eau potable. Ne pas utiliser de tuyaux qui ont été enduits de chromates, de scellant à chaudière ou d'autres produits chimiques.
	Risque d'incendie : Réduire les risques d'incendie, ne pas entreposer d'articles qui peuvent prendre feu (papier, vêtements, etc.) sur ou à côté du chauffe-eau. Ne pas entreposer ou utiliser d'essence ou autres matières, liquides et/ou vapeurs inflammables à proximité de cet appareil ou de tout autre appareil. S'assurer que le couvercle de la boîte de raccordement et tous les autres couvercles sont en place. Les débris et objets pénétrant dans la boîte de raccordement peuvent causer des courts-circuits et s'enflammer.
	Risque d'explosion : La pression élevée et la température de l'eau à l'intérieur du chauffe-eau peuvent provoquer une explosion entraînant des dommages matériels, des blessures graves ou la mort lorsqu'il n'est pas bien entretenu. Assurez-vous que la soupape de sécurité TP est toujours en place et fonctionne, voir point 1.2.
	AVERTISSEMENT : L'hydrogène gazeux peut s'accumuler dans un système d'eau chaude lorsqu'il n'est pas utilisé pendant une plus longue période (deux semaines ou plus). L'hydrogène gazeux est extrêmement inflammable. Si le système n'a pas été utilisé pendant deux semaines ou plus, ouvrez un robinet d'eau chaude pendant plusieurs minutes avant d'utiliser tous les appareils électriques reliés au système d'eau chaude. Ne pas placer de source d'inflammation près du robinet lorsqu'il est ouvert.
	Ce document doit être conservé dans un endroit accessible pour référence ultérieure.

1.2 Consignes de sécurité pour l'utilisateur

 ATTENTION	
	Le trop-plein de la soupape de sécurité ne doit PAS être fermé ou obstrué. La valve ne doit pas être déconnectée ou retirée du produit.
	Le produit ne doit PAS être recouvert devant ou près du couvercle de la boîte de raccordement.
	Le produit ne doit PAS être modifié ou changé par rapport à son état d'origine.
	Les enfants ne doivent PAS jouer avec le produit ou s'en approcher sans surveillance.
	L'installation d'une unité de contrôle externe gérant l'alimentation électrique du produit n'est PAS autorisée sans l'approbation du fabricant.
	Le produit DOIT être rempli avec de l'eau avant sa mise sous tension.
	L'entretien/les réglages doivent être effectués uniquement par des personnes de plus de 18 ans et aptes à comprendre
	Le chauffe-eau peut rendre l'eau suffisamment chaude pour causer des brûlures graves instantanément, ce qui peut entraîner des blessures graves ou la mort. Voir l'étiquette d'avertissement sur le produit pour plus de détails.
	La garantie du produit ne couvre aucun dommage ou défaut causé par la fixation, l'installation ou l'utilisation de tout type de dispositif d'économie d'énergie ou autres dispositifs non approuvés, sur, dans ou avec le chauffe-eau. L'utilisation de dispositifs d'économie d'énergie non autorisés peut réduire la durée de vie du produit et entraîner des dommages matériels, des blessures ou la mort.

 AVERTISSEMENT	
	Le produit ne doit pas être exposé au gel, à la surpression, à la surtension ou au traitement au chlore. Voir les conditions de garantie.
	L'entretien et les réglages ne devraient pas être effectués par des personnes ayant une capacité physique ou mentale diminuée, à moins qu'elles n'aient reçu des instructions sur l'utilisation correcte par une personne responsable de leur sécurité.

1.3 Consignes de sécurité pour les installateurs

 ATTENTION	
	Le trop-plein de la soupape de sécurité TP ne doit PAS être fermé ou obstrué. La valve ne doit pas être déconnectée ou retirée du produit.
	L'installation d'une unité de contrôle externe gérant l'alimentation électrique du produit n'est PAS autorisée sans l'approbation du fabricant.
	Tous les tuyaux de trop-plein de la valve TP DOIVENT avoir un diamètre interne ≥ 18 mm, être sans coupure, intacts, hors-gel et inclinés vers une évacuation adaptée.
	Le câble d'alimentation doit résister à 90 °C/194 °F. Une décharge de traction doit être installée.
	Le produit DOIT être rempli avec de l'eau avant sa mise sous tension. Ne jamais utiliser le chauffe-eau à moins qu'il ne soit complètement rempli d'eau.
	Les réglementations et normes en vigueur, ainsi que ce manuel d'installation, doivent être respectés.
	Le chauffe-eau peut rendre l'eau suffisamment chaude pour causer des brûlures graves instantanément, ce qui peut entraîner des blessures graves ou la mort. Voir l'étiquette d'avertissement sur le produit pour plus de détails.

 AVERTISSEMENT	
	Le produit doit être placé dans une pièce équipée d'une évacuation pour éviter tout dommage matériel en cas de fuite. La responsabilité pour tout dommage consécutif ne s'appliquera que lorsque ces conditions sont remplies.
	Le produit doit être correctement placé verticalement et horizontalement, sur un sol adapté au poids total du produit en fonctionnement. Voir 2.4.
	Le produit doit être à une distance d'au moins 40 cm devant le couvercle de la boîte de raccordement et avoir suffisamment d'espace au-dessus pour l'entretien.

2. DESCRIPTION DU PRODUIT

2.1 Identification du produit

Les détails d'identification de votre produit se trouvent sur la plaque signalétique apposée sur le produit.

Les produits sont conçus et fabriqués conformément à CAN/CSA-C22.2 N° 110-94.

Les produits sont conçus et fabriqués conformément à :

• Norme de soudage EN ISO 3834-2

Les produits est certifié

• Qualité ISO 9001
• Environnement ISO 14001
• Environnement de travail ISO 45001

2.2 Utilisation conforme à l'usage prévu

La série Saga est conçue pour approvisionner les foyers en eau courante chaude.

2.3 Conformité

Le produit est conforme aux normes de :

- Basse tension LVD 2014/35/UE
- Compatibilité électromagnétique EMC 2014/30/UE
- Matériel sous pression DESP 2014/68/UE

Toutes les soupapes de sécurité utilisées doivent être approuvées par la CSA.



2.4 Données techniques

Numéro du produit	Code du produit :	Capacité personnes	Poids kg.	Diamètre x Hauteur mm.	Volume de fret en m ³	Volume L	Perte de chaleur W
21230701	S 200 - 3 kW/1x240V	3,5	39	ø580x1260	0,47	193	66
21230711	S 200 - 4,8 kW/1x240V		39	ø580x1260	0,47	193	66
21230801	S 300 - 3 kW/1x240V	5,5	51	ø580x1710	0,63	281	86
21230811	S 300 - 4,8 kW/1x240V		51	ø580x1710	0,63	281	86

3. INSTRUCTIONS D'INSTALLATION

3.1 Produits pour lesquels ces instructions s'appliquent

21230701	Saga - S 200 - 3 kW
21230711	Saga - S 200 - 4,8 kW
21230801	Saga - S 300 - 3 kW
21230811	Saga - S 300 - 4,8 kW

3.2 Inclus dans la livraison

N° de référence	Nombre de	Description
1.	1.	Couvercle supérieur (monté en usine)
2	1	Combinaison entrée/sortie (monté en usine)
3	1	Soupape de sûreté TP (montée en usine)
4	1	Anode (montée en usine)
5	1	Manuel d'installation (ce document)
6	1	Chauffe-eau
7	1	Thermostat
8	1	Élément chauffant
9	1	Robinet de vidange (monté en usine)
10	3	Pieds (montés en usine)

3.3 Dimensions du produit

Dimensions en mm.

Produit.	A	B	C	D	E	∅
S 200	0-40	1260	1210	125	655	580
S 300	0-40	1710	1660	125	655	580

Tolérance de +/- 5 mm (non dimension A).

3.3.1 Risques lors de l'installation et de l'entretien

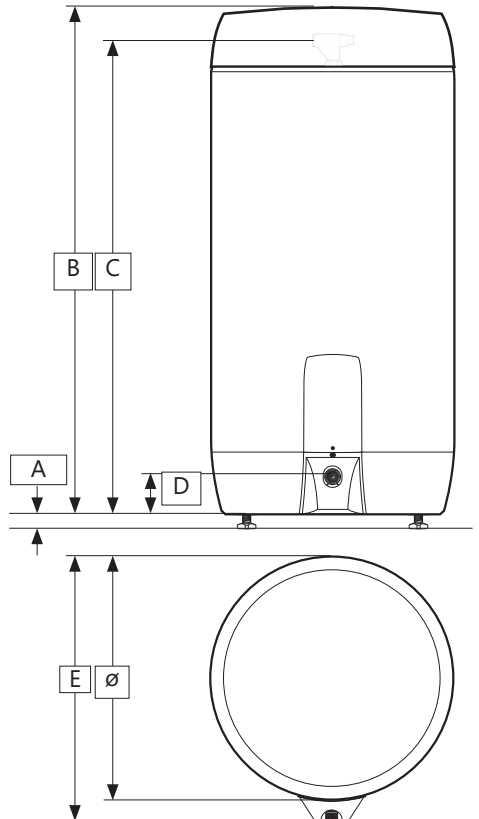
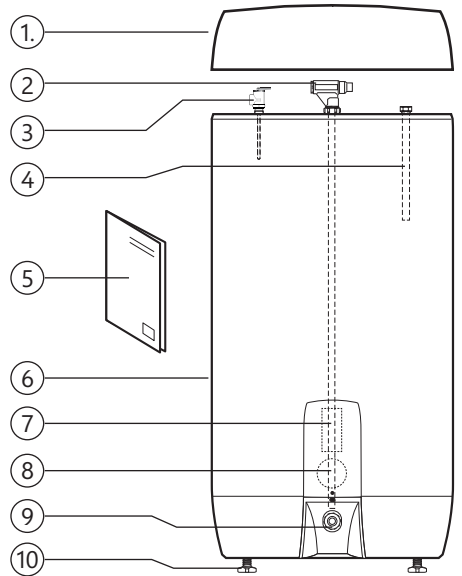
Risque d'électrocution :

Le contact avec des pièces électriques peut entraîner des blessures graves ou la mort. Débranchez toujours l'alimentation avant l'entretien et assurez-vous qu'elle est sécurisée pour ne pas s'activer pendant que les travaux sont en cours

Risque lors du levage :

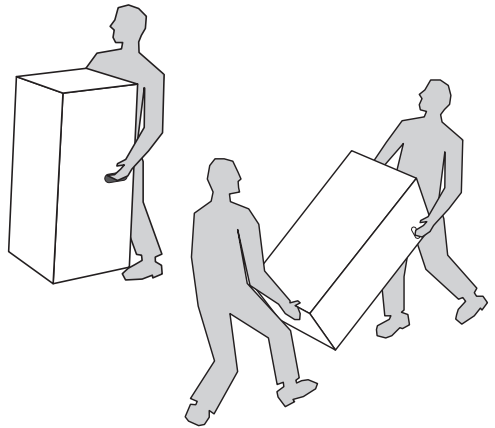
le chauffe-eau est lourd. Respectez les précautions suivantes pour réduire le risque de dommages matériels et/ou de blessures corporelles :

- Ne déballiez pas le produit avant qu'il soit situé dans son emplacement final.
- Il faut au moins deux personnes pour soulever le chauffe-eau.
- Assurez-vous que les deux personnes ont une bonne adhérence avant de soulever.
- Utilisez un chariot ou un diable pour déplacer le produit sur de plus longues distances.



3.3.2 Livraison

Le produit doit être transporté avec soin et dans son emballage, comme indiqué. Utilisez les poignées disponibles sur la boîte. Le produit est lourd. Prenez toutes les précautions nécessaires pour éviter les blessures lors de la manipulation du produit, voir point 3.3.1.



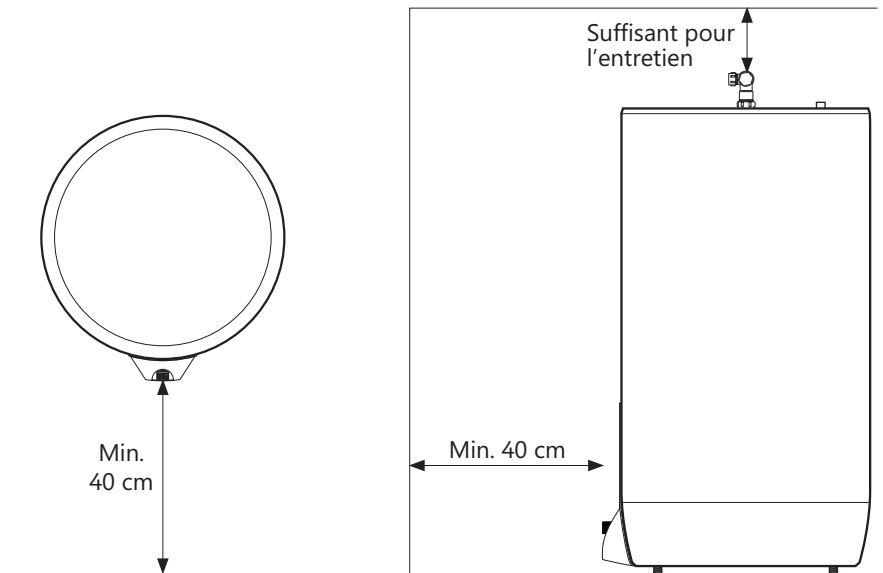
⚠ AVERTISSEMENT

Les raccords de tuyauterie, les vannes, etc. ne doivent pas être utilisés pour soulever le produit car cela pourrait entraîner des dysfonctionnements.

3.4 Exigences relatives au lieu d'installation et au positionnement

⚠ AVERTISSEMENT

- ❗ Le produit doit être placé dans une pièce équipée d'une évacuation pour éviter tout dommage matériel en cas de fuite. La responsabilité pour tout dommage consécutif ne s'appliquera que lorsque ces conditions sont remplies.
- ❗ Le produit doit être placé dans une position sèche et protégée en permanence contre le gel.
- ❗ Le produit doit être placé sur un sol adapté au poids total du produit lorsqu'il est en fonctionnement. Voir la plaque de données.
- ❗ Le produit doit être à une distance d'au moins 40 cm devant le couvercle de la boîte de raccordement et avoir suffisamment d'espace au-dessus pour l'entretien.
- ❗ Le produit doit être facilement accessible dans le domicile pour l'entretien et la maintenance.



3.5 Installation de tuyauterie

Le produit est conçu pour être relié en permanence au réseau de distribution d'eau. Pour l'installation, il est recommandé d'utiliser des tuyaux homologués de la bonne dimension. Les normes et réglementations en vigueur doivent être respectées.

Produit.	EAU FROIDE	EAU CHAUDE	Trop-plein (2)	Anode (3)
S 200 - 300	Anneau de serrage ø22 mm	Anneau de serrage ø22 mm	3/4" interne	3/4" interne

3.5.1 Pression d'eau entrante

L'efficacité du produit dépend de la pression d'eau froide entrante. La pression de l'eau doit être de min. 2 bar et max. 6 bar tout au long de la journée. Une pression d'eau excessive peut être ajustée en installant une soupape de réduction de pression.

3.5.2 Montage de tuyaux en cuivre d'eau froide et chaude (EF-EC) et tuyau de trop-plein

A) Tourner la combinaison d'entrée/de sortie sur la position désirée.

- Resserer le raccordement de compression au cylindre (voir 3.5.4)

B) Des tuyaux EF et EC de taille et de qualité appropriées doivent être conduits à la combinaison d'entrée/de sortie et serrés. (voir 3.5.4).

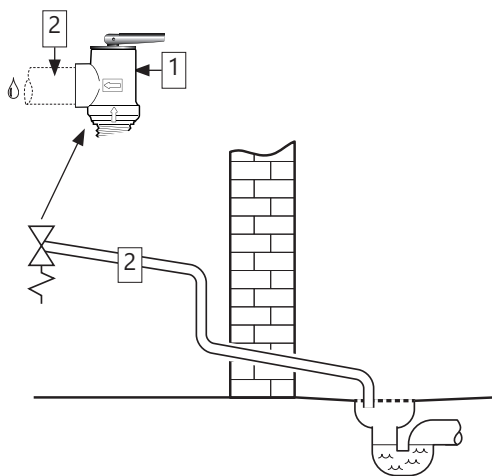
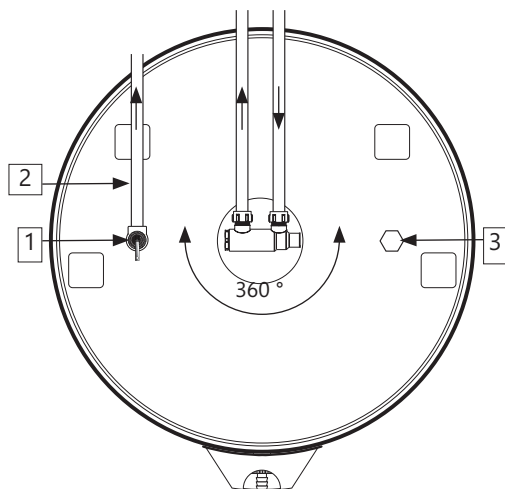
- Pour des tuyaux plus grands, un connecteur peut être utilisé.

C) Tuyau de trop-plein de diamètre interne (2) ≥ 18 mm raccordé à la valve TP (1) ;

- Raccord 3/4" filetage interne.
- Sans coupure, intact, hors-gel et incliné vers une évacuation/un avaloir.

3.5.3 Anode

Le produit est équipé d'une anode (3) pour le protéger contre l'eau chlorée. L'anode est montée en usine. Pour plus d'informations et l'entretien voir point 5.2.



3.5.4 Réglages du couple

Composant	Couple
Raccord de compression aux tuyaux en cuivre EF/EC (ø22)	40 Nm (+/- 3)
Raccord de compression au cylindre (ø22)	60 Nm (+/- 5)

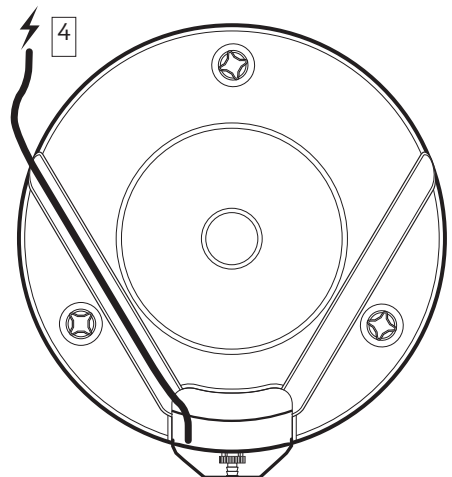
3.5.5 Instructions de raccordement

⚠ ATTENTION	
❗	Le produit DOIT être rempli avec de l'eau avant sa mise sous tension.
❗	Tous les tuyaux de trop-plein de la soupape de sécurité DOIVENT avoir un diamètre interne $\geq \varnothing 18$ mm, être sans coupure, intacts, hors-gel et inclinés vers une évacuation/un avaloir.

⚠ AVERTISSEMENT	
❗	Le produit doit être placé dans une pièce équipée d'une évacuation pour éviter tout dommage matériel en cas de fuite. La responsabilité pour tout dommage consécutif ne s'appliquera que lorsque ces conditions sont remplies.
❗	Le produit doit être correctement placé verticalement et horizontalement, sur un sol adapté au poids total du produit en fonctionnement. Voir 2.4.
❗	Le produit doit être à une distance d'au moins 40 cm devant le couvercle de la boîte de raccordement et avoir suffisamment d'espace au-dessus pour l'entretien.

3.5.6 Recommandation d'installation

RECOMMANDATION	
-	Le câble d'alimentation (4) doit être dissimulé sous les canaux en bas du produit.
-	Si un clapet antiretour est installé, une soupape de réduction et un vase d'expansion doivent être installés pour empêcher la valve TP de goutter.
-	Si la pression maximale de l'eau dépasse 6 bar au cours d'une période de 24 heures, une soupape de réduction de pression et un vase d'expansion doivent être installés.
-	Pour l'installation dans une pièce sans évacuation, un bac récepteur étanche avec tuyau de trop-plein d'un diamètre interne > 18 mm doit être installé sous le produit, en plus d'une soupape d'arrêt automatique avec capteur. Cela peut prévenir d'éventuels dommages matériels.



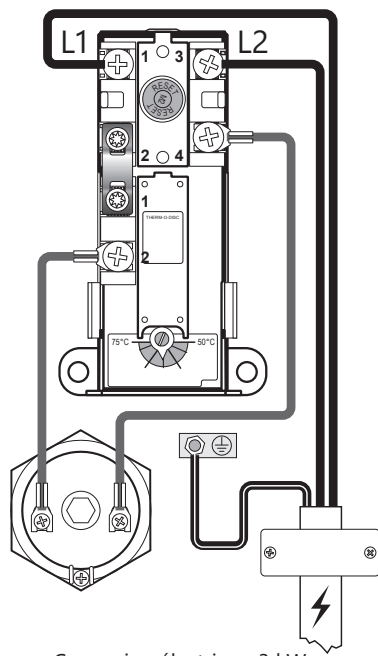
3.6. Installation électrique

Ce chauffe-eau doit être branché à un circuit indépendant dans le panneau électrique ou à une prise murale adaptée. Pour une connexion permanente, les bornes à vis L1 et L2 peuvent être câblées sur site à condition qu'un technicien de terrain qualifié soit impliqué pour s'assurer que les fils sont correctement connectés aux bornes à vis conformément aux exigences de l'utilisation finale standard de l'appareil. Voir la plaque de données sur le produit pour la puissance/le voltage de l'élément et s'assurer que le câblage d'alimentation et le fusible/disjoncteur sont de type et de taille corrects pour ce produit.

L'installation ou la mise à niveau d'une unité de contrôle d'alimentation externe sur le produit ou son alimentation ne doit être effectuée que par un électricien agréé. L'unité de contrôle doit être approuvée par le fabricant du produit.

Les normes et réglementations en vigueur doivent être respectées.

Ce chauffe-eau doit être mis à la terre électriquement conformément à tous les codes locaux, ou en l'absence de codes locaux, au code canadien de l'électricité C22.1 de la CSA. *Le fait de ne pas mettre ce produit correctement à la terre peut entraîner des dommages matériels, des blessures corporelles ou la mort.*



Connexion électrique 3 kW

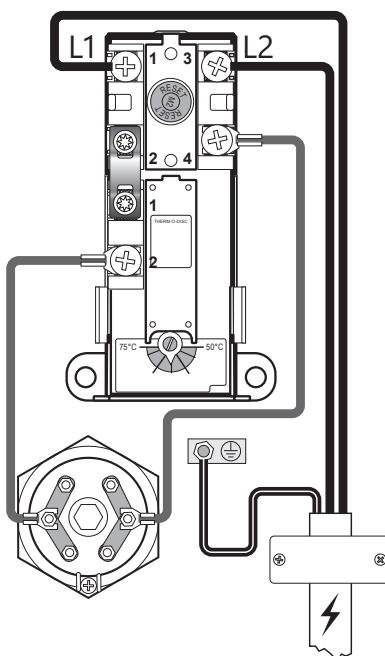
3.6.1 Composants électriques

Composant	Remarque
Thermostat de sécurité	Disjoncteur thermique à 85 °C Disjoncteur thermique à 185 °F
Thermostat de travail	Réglable 45-75 °C Réglable 113-167 °F
Élément chauffant	1-phase 240 V
Fils internes	Thermorésistant

3.6.2 Connexions électriques dans la boîte de raccordement

⚠ ATTENTION
Tension constante présente aux terminaux L1 et L2. Avant d'effectuer un travail électrique, l'alimentation doit être débranchée et sécurisée pour ne pas s'activer pendant que les travaux sont en cours.

- A) Fil rouge (L1) - relié au point « 1 » sur le thermostat de sécurité.
- B) Fil noir (L2) - relié au point « 3 » sur le thermostat de sécurité.
- C) Fil jaune à rayure verte (⊕) - Terre - relié au terminal sur l'élément chauffant (laiton)



Connexion électrique 4,8 kW

hexagonal)

- D) Les fils internes de l'élément au thermostat sont reliés au point « 4 » sur le thermostat de sécurité et au point « 2 » sur le thermostat de fonctionnement. Voir l'illustration.

3.6.3 Réglages du couple

Composant	Couple
Élément chauffant 5/4"	60 Nm (+/- 5)
Vis thermostat	2 Nm (+/- 0.1)
Vis sur la tête de l'élément	2 Nm (+/- 0.1)

3.6.4 Instructions de raccordement

⚠ ATTENTION	
⊘	L'installation d'une unité de contrôle externe gérant l'alimentation électrique du produit n'est PAS autorisée sans l'approbation du fabricant.
❗	Le produit doit être entièrement rempli avec de l'eau avant sa mise sous tension.
⊘	Ne retirez pas le couvercle de la boîte de raccordement avant que l'alimentation du produit soit sur OFF.
⊘	N'essayez pas de réparer ou de remplacer tout composant électrique installé dans le produit avant que l'alimentation soit sur OFF.
⊘	N'utilisez pas le produit avec une tension autre que celle spécifiée sur la plaque de données du produit.
⊘	Ne branchez pas le câblage d'alimentation ailleurs qu'au raccordement électrique principal du produit. NE PAS court-circuiter le thermostat de sécurité.

⚠ AVERTISSEMENT	
❗	Le produit doit être à une distance d'au moins 40 cm devant le couvercle de la boîte de raccordement et avoir suffisamment d'espace au-dessus pour l'entretien.

3.6.5 Recommandation de raccordement

RECOMMANDATION	
-	Le câble d'alimentation doit être dissimulé sous l'un des canaux en bas du produit, voir point 3.5.6.
-	Toujours respecter les codes locaux ou le Code canadien de l'électricité C22.1 de la CSA.

4. PREMIÈRE MISE EN SERVICE

4.1 Remplissage d'eau

Vérifiez au préalable que tous les tuyaux sont correctement raccordés. Ensuite, procédez comme suit :

- A) Ouvrez un robinet d'eau chaude - laissez-le ouvert
- B) Ouvrez l'alimentation en eau froide du produit.

Vérifiez que l'eau du robinet d'eau chaude ouvert s'écoule de manière fluide, sans fuite d'air.

- A) Fermez le robinet d'eau chaude.

4.2 Mise sous tension

Lorsque le chauffe-eau a été complètement rempli d'eau, l'alimentation peut être allumée.

- A) Allumez l'interrupteur/le disjoncteur.

4.3 Points de contrôle

- A) Vérifiez que tous les raccords de tuyauterie vers / depuis le produit sont étanches et ne présentent aucune fuite.
- B) Vérifiez que l'alimentation électrique du produit ne risque pas d'être exposée à des dommages mécaniques, thermiques ou chimiques et qu'elle n'est pas connectée à une unité de contrôle d'alimentation non approuvée.
- C) Vérifiez que tous les tuyaux de trop-plein de la soupape de sécurité sont sans coupure, intacts, hors-gel et inclinés vers une évacuation.
- D) Vérifiez que le produit est solidement en place verticalement et horizontalement.

4.4 Vidange de l'eau

- A) Débranchez l'alimentation électrique. Ne pas vider le chauffe-eau à moins que l'alimentation électrique ait été coupée et sécurisée pour ne pas s'activer pendant le processus de vidange.
- B) Coupez l'arrivée d'eau froide.
- C) Ouvrez un robinet d'eau chaude au maximum et laissez-le ouvert (évite l'aspiration).
- D) Retirez le couvercle du robinet de vidange (2) en desserrant la vis (5).
- F) Connectez un tuyau à la buse du robinet de vidange. Placez l'autre extrémité du tuyau à l'extérieur, dans une évacuation ou dans des seaux. Tournez la vis du robinet de vidange (3) à environ 90 degrés de la position ouverte à l'aide d'un tournevis. Le produit est vidangé.

Après la vidange, fermez le robinet de vidange (3) en tournant la vis à 90 degrés de la position fermée. Fermez tous les robinets ouverts. Remplacez le couvercle (2) du robinet de vidange. Remplissage, voir point 4.1.

NE PAS rallumer l'alimentation du chauffe-eau tant qu'il n'est pas complètement rempli d'eau. Le non-respect de cette consigne annulera la garantie.

⚠ ATTENTION

La température de l'eau à l'intérieur du produit est de 70 °C/158 °F et peut provoquer des brûlures. Avant de la vider, un robinet d'eau chaude doit être ouvert à la pression/température maximum pendant au moins 3 minutes.

4.5 Transfert à l'utilisateur final

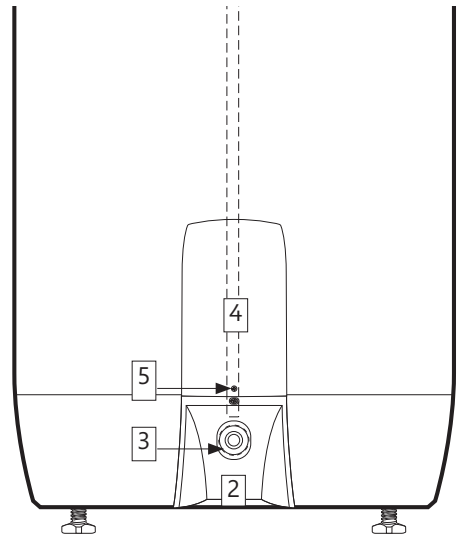
L'INSTALLATEUR DOIT :

Expliquez à l'utilisateur final les consignes de sécurité et d'entretien.

Informez l'utilisateur final des réglages et de la vidange du produit.

Remettre ce manuel d'installation à l'utilisateur final.

Inscrire les coordonnées sur la plaque signalétique du produit.



⚠ ATTENTION

Le chauffe-eau ne doit pas être allumé tant que toutes les conditions indiquées au point 1 ne sont pas respectées. Le non-respect de cette consigne peut causer des dommages matériels, des blessures graves ou la mort.

5. GUIDE DE L'UTILISATEUR

5.1 Réglages

5.1.1 Réglage thermostat

Le thermostat du produit est réglable de 45 à 75 °C/113-167 °F. Le thermostat ne doit pas être réglé à un niveau inférieur à 65 °C/149 °F pour empêcher le développement des bactéries.

⚠ ATTENTION

Augmenter la température de l'eau dans le chauffe-eau augmente le risque de brûlure.

Pour régler la température :

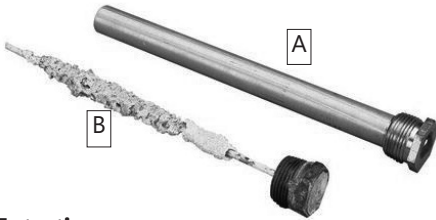
- A) Déconnectez l'alimentation électrique.
- B) Retirez le couvercle de la boîte de raccordement (4) en dévissant la vis de fixation (5).
- C) Ajustez la température du thermostat (7) à l'aide d'un tournevis.

Remplacez le couvercle de la boîte de raccordement avant de brancher l'alimentation.

5.1.2 Réinitialiser le thermostat de sécurité

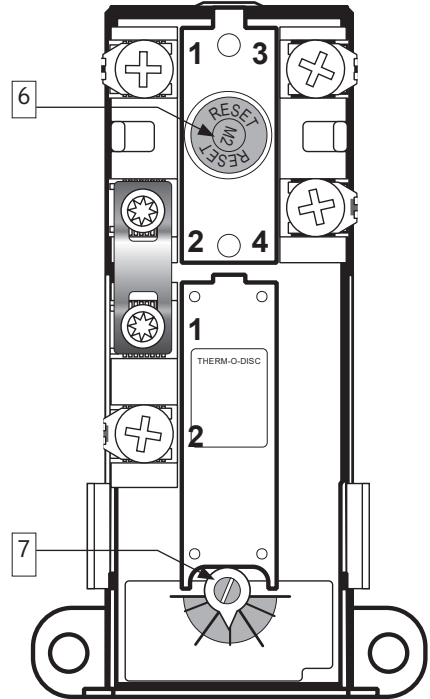
Le thermostat de sécurité du produit se coupe lorsqu'il y a un risque de surchauffe. Ceci est réinitialisé en ôtant le couvercle et en appuyant sur le bouton rouge « RESET » (6). Si le thermostat se coupe de manière répétée, contactez l'installateur.

5.1.3 Anode (voir aussi point 5.2)



⚠ ATTENTION

Tension constante présente dans la boîte de raccordement. Avant d'effectuer un travail électrique, l'alimentation doit être débranchée et sécurisée pour ne pas s'activer pendant que les travaux sont en cours.



5.2 Entretien

CONSIGNES D'ENTRETIEN

⚠	L'entretien doit être effectué par des personnes de plus de 18 ans et aptes à comprendre	
⚠	Inspection annuelle de la valve TP :	
-	Ouvrez la valve pendant 1 min. en soulevant la manette (8) d'environ 90 degrés par rapport à la position ouverte. AVERTISSEMENT : De l'eau chaude sera libérée par la valve.	
-	Vérifiez visuellement que l'eau s'écoule librement vers l'évacuation.	
-	OUI = OK. Fermez la vanne en replaçant la manette (8) en position fermée.	
-	NON = PAS OK. Débranchez l'alimentation électrique et coupez l'arrivée d'eau. Contactez l'installateur ou un professionnel agréé.	
-	Inspection annuelle de l'anode (9), première fois après 6 mois de service : Coupez l'alimentation en électricité et en eau. Relâchez la pression de l'eau en ouvrant un robinet d'eau chaude. Dévissez l'anode, soulevez et inspectez. Remplacez l'anode si elle est dissoute (voir l'illustration « B » ci-dessus). L'illustration « A » (ci-dessus) montre une anode neuve.	

6. DÉPANNAGE

6.1 Dysfonctionnements et réparations

Si des problèmes surviennent lorsque le produit est en cours d'utilisation, vérifiez les dysfonctionnements et réparations possibles dans le tableau. Si le

problème n'est pas indiqué dans le tableau de dépannage ou si vous ne trouvez pas ce qui ne va pas, contactez l'installateur (voir plaque type sur le produit) ou King Heating Products - voir rubrique 7.1.

DÉPANNAGE		
Problème	Cause de défaillance possible	Solution possible
La soupape de sécurité fuit/goutte / il y a souvent de l'eau sur le sol au niveau du cylindre le matin	Soupape de réduction de pression, compteur d'eau ou clapet antiretour bloqué au niveau de l'entrée d'eau.	Installer un vase d'expansion qui absorbe l'expansion pendant le chauffage, et installer une soupape de réduction de pression pour une pression d'eau stable à l'intérieur de la maison. La soupape de réduction de pression est ajustée en fonction de la pression dans le vase d'expansion. Contacter un installateur agréé.
	La pression de l'eau dans la maison est trop élevée.	
	La valve TP est usée ou il y a des particules coincées entre la membrane et le siège de valve parce que l'eau est sale	Essayez de rincer en faisant passer de l'eau dans la valve TP. Ouvrez la valve pendant env. 1 minute. Voir rubrique 5.2. Si la valve fuit encore, elle doit être remplacée. Contacter un installateur agréé.
	L'élément chauffant fuit.	Vérifiez comme suit : a) coupez l'alimentation électrique, b) dévissez le couvercle, c) vérifiez visuellement si l'élément chauffant fuit. Si c'est le cas, remplacez le joint/l'élément chauffant. Contactez un installateur agréé.
Pas d'eau chaude	Alimentation électrique interrompue.	Vérifiez que le fusible est allumé / le disjoncteur ne s'est pas déclenché.
	Le thermostat s'est coupé.	Appuyez sur le bouton « RESET » sur le thermostat de sécurité ; voir « Guide de l'utilisateur ».
	L'élément chauffant est défectueux.	Remplacez l'élément chauffant. Contactez un installateur agréé.
	Fuite dans le tuyau d'eau chaude	Vérifiez comme suit : a) attendez 2-3 heures, b) touchez la combinaison d'entrée/de sortie pour voir si elle est chaude. Si c'est le cas, il y a une fuite dans le tuyau d'eau chaude ou ailleurs. Contactez un installateur agréé.
Pas assez d'eau chaude	Consommation élevée dans la maison.	Augmentez la température du thermostat à 70 °C/158 °F ; voir « Guide de l'utilisateur ».
		Passez à un chauffe-eau plus grand. Contactez un installateur agréé.
Température pas assez élevée	Le thermostat est réglé pour des températures basses.	Augmentez la température du thermostat à 70 °C/158 °F ; voir « Guide de l'utilisateur ».
	Passez de l'eau froide à l'eau chaude au niveau des robinets.	Contactez un installateur agréé.
Le fusible/disjoncteur se déclenche à plusieurs reprises	Défaillance possible dans le système électrique du chauffe-eau.	Vérifiez comme suit : a) coupez l'alimentation électrique, b) dévissez le couvercle, c) vérifiez visuellement s'il y a des problèmes dans la boîte de raccordement. Si c'est le cas, contactez un installateur agréé pour vérifier. Placez le couvercle.
L'eau met beaucoup de temps avant d'arriver au robinet	Longue section de tuyau du chauffe-eau au robinet.	Installez la boucle de circulation ou le câble de chauffage au tuyau EC. Ou installez un chauffe-eau auxiliaire au niveau du robinet. Contactez un installateur agréé.
Cognement dans les tuyaux lorsque le robinet d'eau chaude est fermé	Forte augmentation de la pression lorsque le robinet est fermé rapidement.	Parfaitement normal. Installez un vase d'expansion si cela est gênant. Contactez un installateur agréé.

7. CONDITIONS DE LA GARANTIE

CUSTOMER will receive good and valid title to the Contractual Products, free and clear of all encumbrances.

SUPPLIER warrants for 2 years from the date of purchase, that the Product will: i) conform to SUPPLIER's specification, and ii) be free from defects in materials and workmanship, subject to conditions below. To be eligible for warranty the customer has to arrange the return of an installation and the mandatory information required by the OSO std warranty form.

All components other than the stainless steel inner tank described below carry a 2-year warranty.

The warranty is 7 years for the stainless steel inner tank. The conditions and limitations set out below shall apply.

Coverage: If a defect arises and a valid claim is received within the warranty period, SUPPLIER shall, at its option, as its sole liability and responsibility to CUSTOMER, ei-ther, i) repair the defect, or, ii) replace the product with a product that is identical or similar in function, or, iii) refund the purchase price. Any exchanged Product or component will become the legal property of SUPPLIER. Any valid claim or service does not ex-tend the original warranty. The replacement Product or part does not carry a new war-ranty. Under no event or circumstance will SUPPLIER have any liability or obligation under contract or otherwise to any end customer of CUSTOMER with respect to any Product and all rights of such end customers shall be determined exclusively through their agreements with CUSTOMER and be limited to claims against CUSTOMER.

Conditions: The Product is manufactured to suit most public water supplies. However, there are certain water chemistries (outlined below) that can have a detrimental effect on the Product and its life expectancy. If there are uncertainties regarding water quality, the local water supply authority can supply the necessary data. SUPPLIER's warranties apply only if the conditions set out below are met in full:

The Product has been installed by a professional installer, in accordance with the instructions in the installation manual, in accordance with any training programs or procedures provided by SUPPLIER to CUSTOMER, and in compliance with all relevant Codes of Practice and Regulations in force at the time of installation. [NTD: CUSTOMER to identify local regulations and requirements governing installation, operation and use of the products].

The Product has not been modified in any way, tampered with or subjected to misuse and no factory fitted parts have been removed for unauthorized repair or re-placement, including being fitted with an external power supply control unit not approved by the manufacturer.

The Product has only been connected to a water supply in compliance with the applicable legislations. The water should not be aggressive, i.e. the water chemistry shall comply with the following:

Chloride	< 250 µg / L
Electric Conductivity (EC) @25°C	@ 750 µS / cm
Saturation Index (LSI) @80°C	> -1,0 / < 0,8
pH level	> 6,0 / < 9,5

- The immersion heater has not been exposed to hardness levels exceeding 5°dH (180 ppm CaCO3). A water softener is recommended in such cases.
- Any disinfection has been carried out without affecting the Product in any way whatsoever. The Product shall be isolated from any system chlorination.
- The Product has been in regular use from the date of installation. If the Product is not intended to be used for 60 days or more, it must be drained.
- Service and/or repair shall be done according to the installation manual and all relevant codes of practice. Any replacement parts shall be original spare parts.
- A water sample, installation site and product identification is mandatory if the products are reported as defective. The defective product shall be made available to SUPPLIER upon request.
- The warranty is not valid if original spareparts are not used.
- The warranty conditions may change, the valid conditions are always posted on the www.osohotwater.com.
- Failure to follow these instructions and conditions will void the warranty above and may also result in product failure, and water escaping from the Product.

Limitations: The warranty does not cover:

- Reasonable wear and tear in the use of the Product by CUSTOMER'S end customer.
- Any fault or costs arising from incorrect installation, incorrect application, lack of regular maintenance in accordance with the installation manual, neglect, accidental or mal-icious damage, misuse, any alteration, tampering or repair carried out by a non-professional, any fault arising from the tampering with or removal of any factory fitted safety components or measures, or any non-compliance or breach of any law, regulation or rule under the laws of the jurisdiction of CUSTOMER with respect to the installation, operation or use of the Product.
- Any consequential damage or any indirect loss caused by any failure or malfunction of the Product whatsoever.

7.1 Service clientèle

En cas de problèmes qui ne peuvent être résolus à l'aide du guide de dépannage de ce manuel d'installation, contactez soit :

- A) L'installateur qui a fourni le produit.
- B) King Heating Products: hello@kingheatingproducts.com.

8. RETRAIT DE L'APPAREIL

8.1 Retrait.

- A) Débranchez l'alimentation électrique.
- B) Arrêtez l'approvisionnement en eau froide entrante.

- Any pipework or any equipment connected to the Product.
- The effects of frost, lightning, voltage variation, lack of water, dry boiling, excess pressure or chlorination procedures as well as fitting of a non-approved power supply control unit.
- The effects of stagnant (de-aerated) water if the Product has been left unused for more than 60 days consecutively.
- Damage caused during transportation. CUSTOMER shall give the carrier notice of such damage.
- Costs arising if the Product is not immediately accessible for servicing.

SUPPLIER shall warrant that the Contractual Products supplied do not infringe any industrial property rights of third parties. In the event that industrial property rights of third parties are however infringed, SUPPLIER shall, at CUSTOMER'S first request, indemnify, defend and hold harmless CUSTOMER, provided that such indemnity shall be fully satisfied and discharged if SUPPLIER obtains at no additional cost to CUSTOMER, on a timely basis, the right of continued use of such Contractual Products, or an alternative product provided by SUPPLIER that provides substantially the same capabilities and performance, and is non-infringing of such third party rights.

Recall, Liability, Insurance

Recall

If any governmental or regulatory authority issues a request, directive or order that any Contractual Products covered by this Agreement be recalled or withdrawn, or any court of competent jurisdiction orders a recall or withdrawal, CUSTOMER will take all appropriate corrective actions to set into effect such recall or withdrawal. SUPPLIER shall in-demnify CUSTOMER, subject to the limitations set forth in this Agreement, for the reasonable direct costs of such recall. The reasonableness of the costs incurred shall be determined in good faith, taking into account the reasons for such recall and the implementation.

Limitation of Liability

In no event shall supplier be liable for any consequential, indirect, incidental, special or exemplary or punitive damages, lost profits or revenues or diminution in value, arising out of or relating to any breach of these terms, whether or not the possibility of such damages has been disclosed in advance or could have been reasonably foreseen, regardless of the legal or equitable theory (contract, tort or otherwise) upon which the claim is based.

In no event shall supplier's aggregate liability arising out of or related to this agreement, whether arising out of or related to breach of contract, tort (including negligence) or otherwise, exceed the total of the amounts paid to supplier for the contractual products sold hereunder.

Without limiting or restricting the foregoing:

As to consequential damages resulting from a defect in the Products delivered by SUPPLIER (product liability), SUPPLIER is liable only to the extent of the mandatory provisions of the law (if any).

Under no conditions shall SUPPLIER be liable for any operating losses, loss of time, loss of profit or other indirect losses and repercussions caused by the delivery by SUPPLIER of a defective Product to the Customer.

CUSTOMER warrants that if the Products are sold to consumers, that CUSTOMER will uphold all relevant laws applicable to such sale ("Consumer Laws") in the relevant jurisdiction. SUPPLIER shall, to the extent allowed by mandatory provisions of the law, not be held liable for any losses suffered by consumers due to CUSTOMER'S breach of applicable Consumer Laws.

The CUSTOMER is responsible for ensuring that the purchased Product may legally be used in the approved Territory outlined in Annex 2 and for the purposes intended by the CUSTOMER, including obtaining any required approval of the Products by public authorities or individuals for import and use.

SUPPLIER'S Product Liability Insurance

To safeguard against SUPPLIER'S liability risks under or in connection with the present Agreement, SUPPLIER, or its designated manufacturer, shall maintain appropriate product liability insurance containing terms and conditions consistent with industry practice determined by SUPPLIER in its sole discretion. At CUSTOMER'S request, SUPPLIER shall provide the basic data of such insurance policy, including a copy of such policy if requested, as well as evidence of the amount and payment of premium payments due for such policy.

CUSTOMER'S Insurance

To safeguard against CUSTOMER'S liability risks under or in connection with the pre-sent Agreement, and its liability risks associated with the installation, operation and use by its end customers of purchased Product, CUSTOMER, on its own behalf and on behalf of CUSTOMER GROUP, shall conclude and maintain commercial property & casualty insurance (including errors & omissions insurance) containing terms and conditions consistent with industry practice determined by CUSTOMER in its sole discretion which shall provide coverage of at least EUR 3,000,000 (three million Euros). At SUPPLIER'S request, CUSTOMER shall provide the basic data of such insurance policy, including a copy of such policy if requested, as well as evidence of the amount and payment of premium payments due for such policy.

C) Vidangez l'eau – voir pt 4.4.

D) Débranchez tous les tuyaux.

E) L'appareil peut maintenant être retiré.

8.2 Régime des retours

Ce produit est recyclable et doit être transporté au centre de recyclage environnemental. Si l'appareil va être remplacé par un nouvel appareil, l'installateur doit être en mesure d'enlever l'ancien cylindre pour le recyclage.



www.kingheatingproducts.com

King Heating Products

Head Office

#103 - 2567 192 St., Surrey, BC, V353X1

Tel: 604.385.3265

Email: hello@kingheatingproducts.com

Open: 8am - 4:30pm PST Mon - Fri

Ontario Office

49 Craig St., Brantford, ON N3R 7H8

Open: 8am - 4:30pm EST Mon - Fri

Manufactured by OSO Hotwater AS

Industriveien 1 - 3300 Hokksund - Norway

Tel.: +47 32 25 00 00 / Fax: +47 32 25 00 90

E-mail: oso@oso.no / www.osohotwater.com

© This installation manual and all its content is protected by copyright and may be reproduced or distributed only with written consent from the manufacturer. We reserve the right to make changes without notice.

© Toutes les sections des présentes instructions de montage sont protégées par le droit d'auteur et ne peuvent pas être reproduites ni distribuées sans le consentement écrit préalable du fabricant. Sous réserve de modifications.