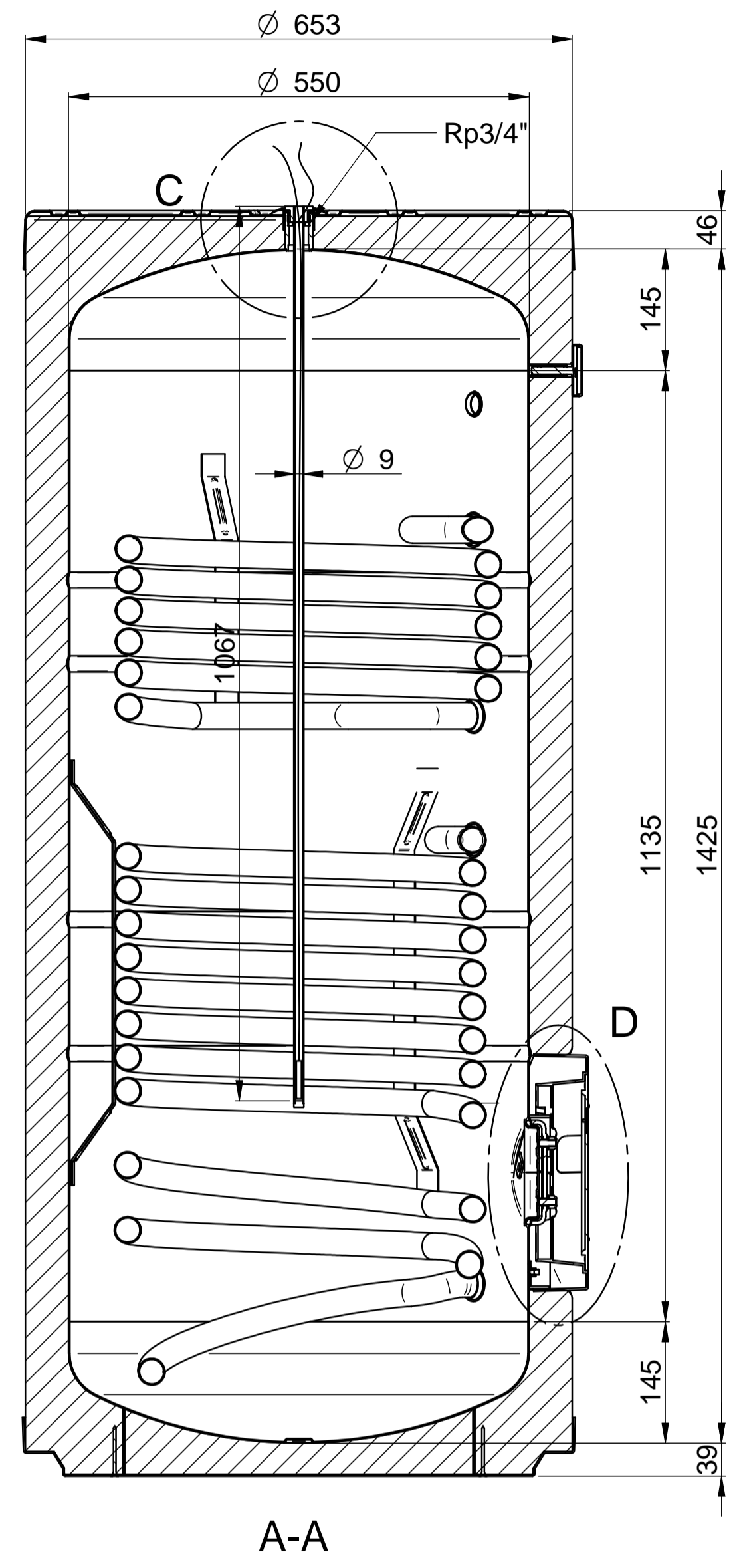
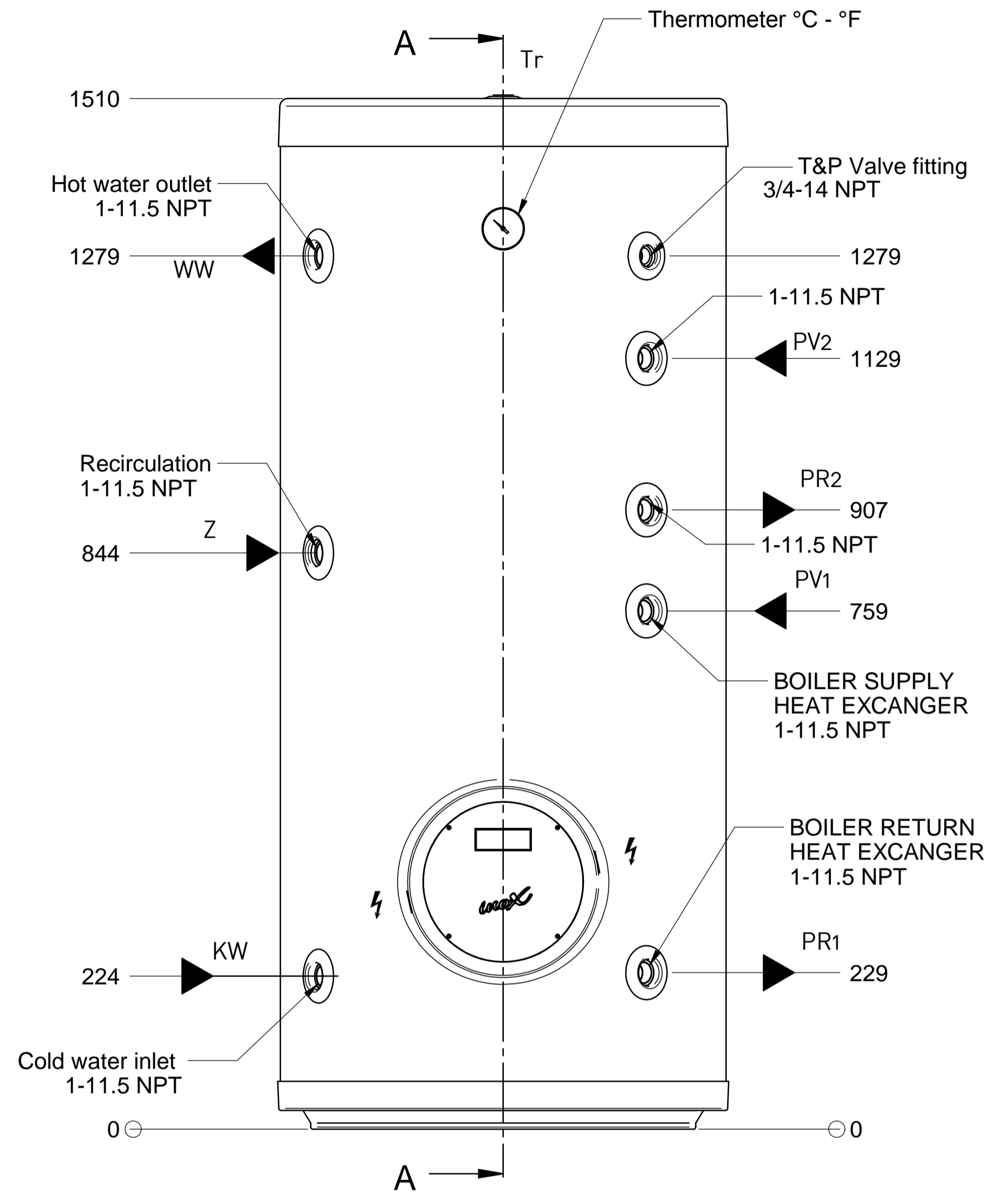
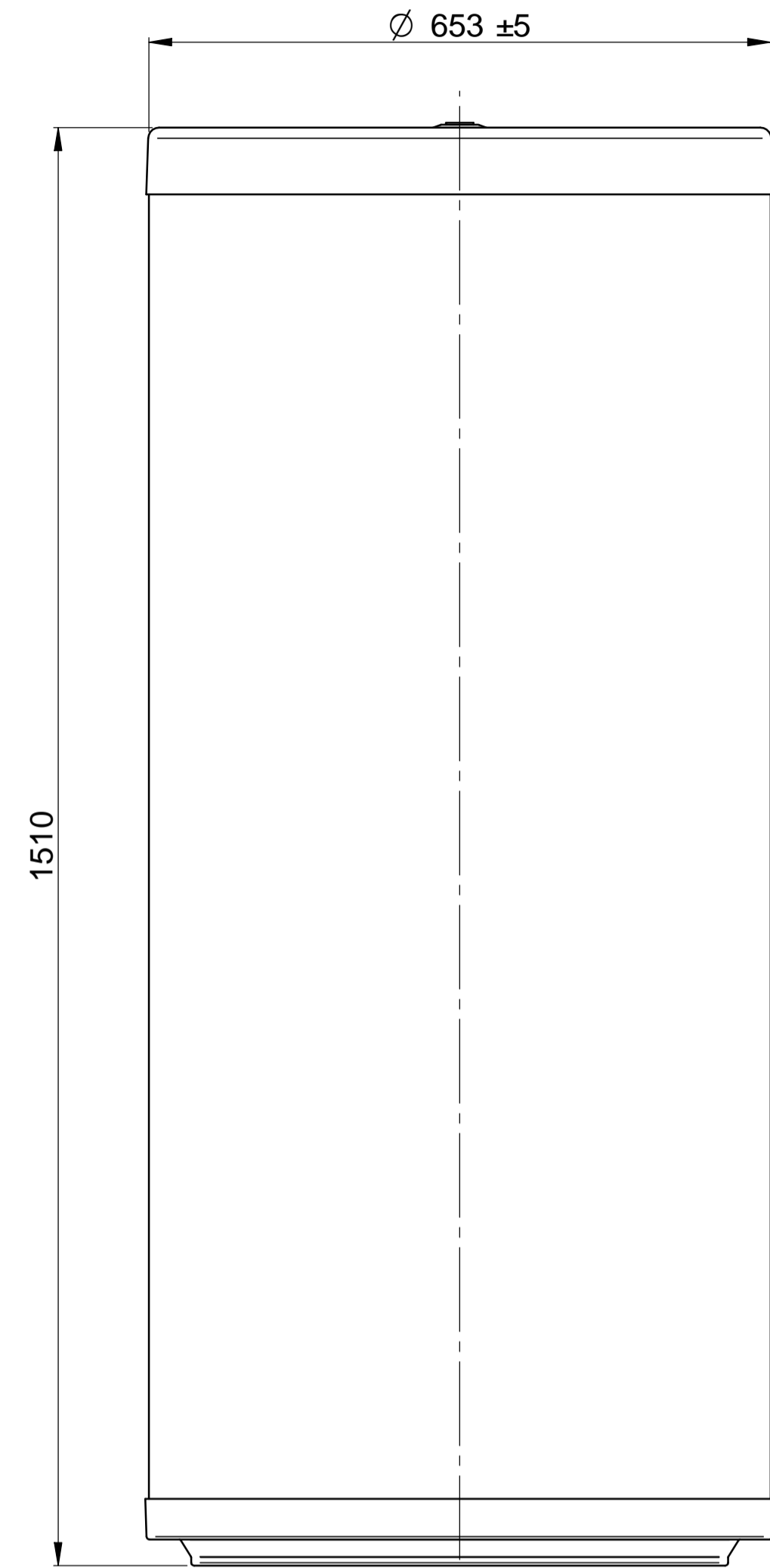
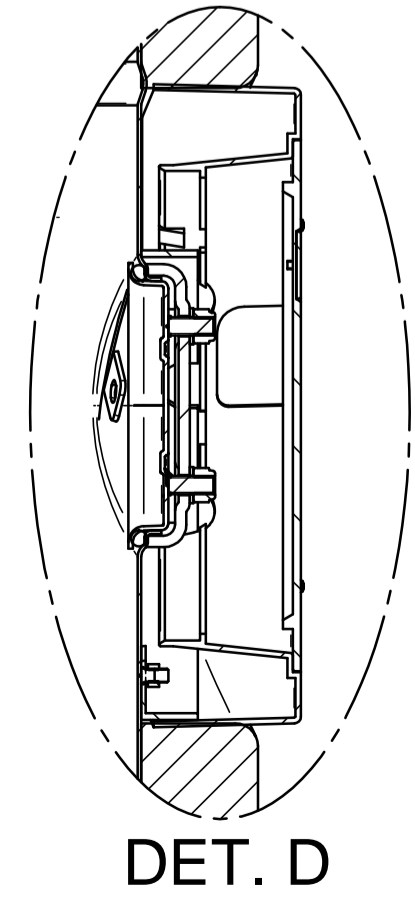
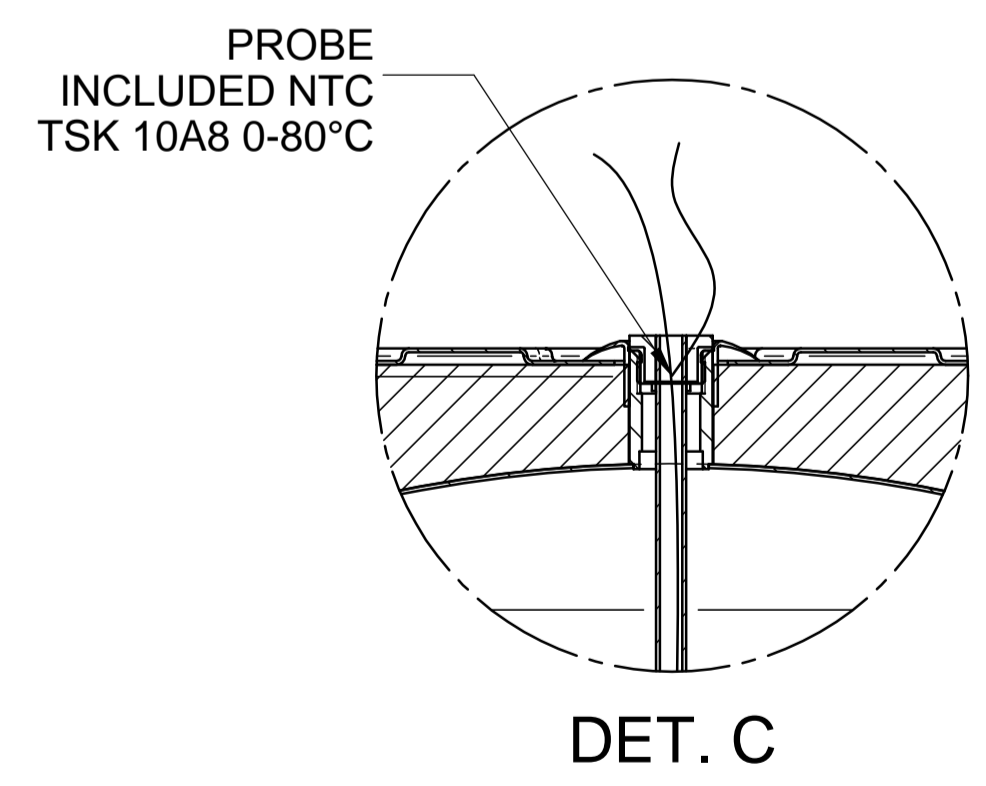
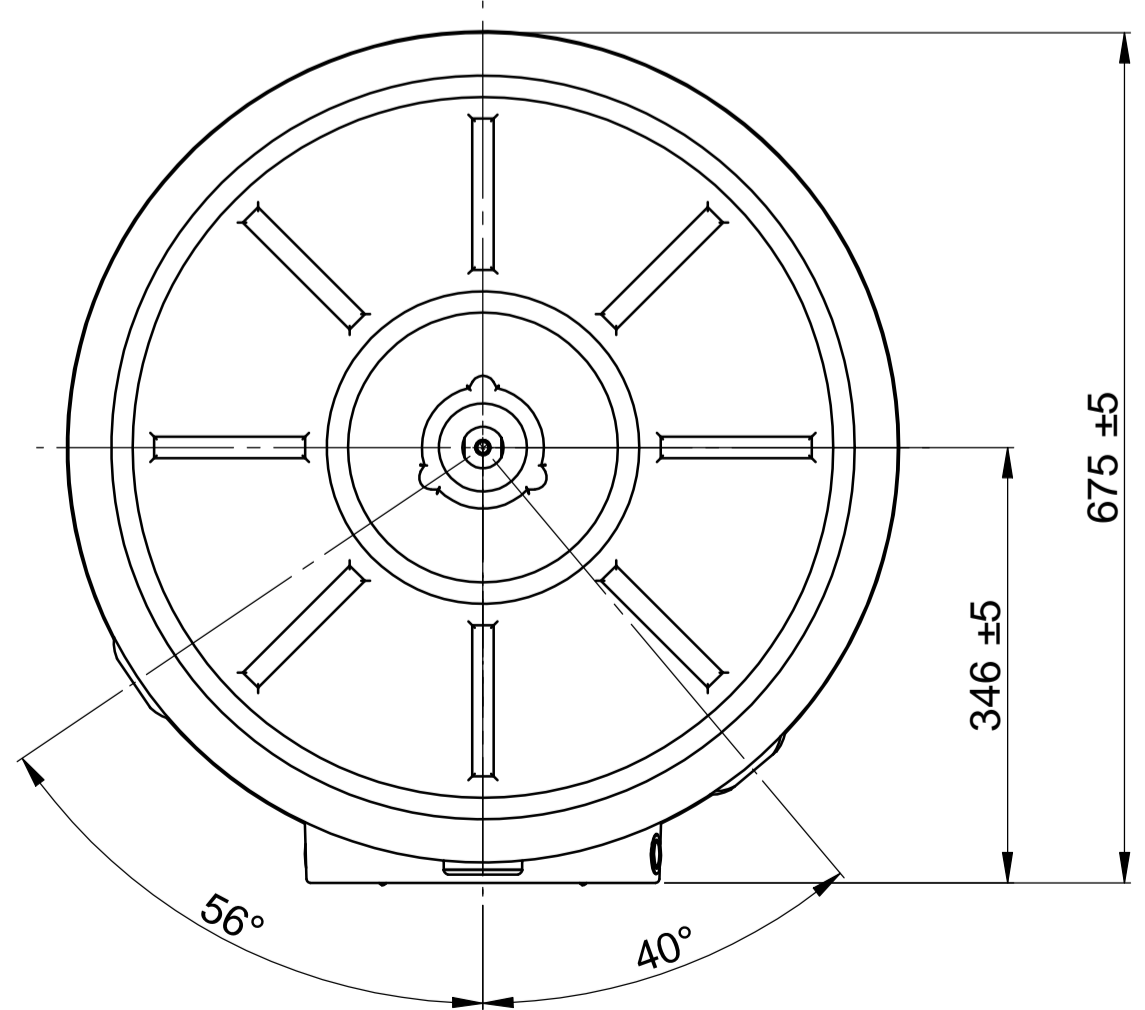
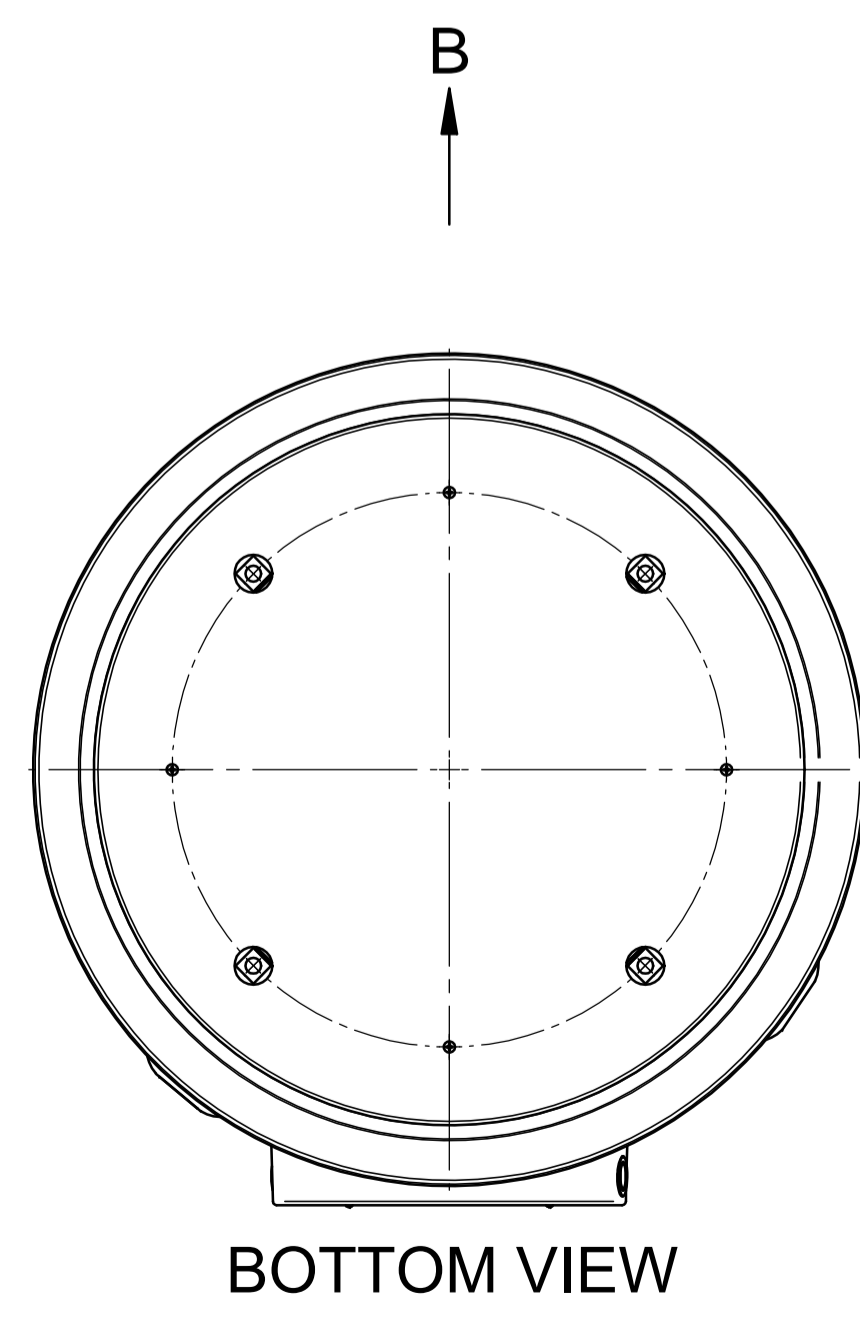


SCHEMA DIMENSIONALE



| Tolleranze | Dimensione nominale lineare | | | | | | | | | | |
|------------------|-----------------------------|--------|-------|--------|-------|--------|-------|--------|-------|--------|-------|
| | oltre | fino a | oltre | fino a | oltre | fino a | oltre | fino a | oltre | fino a | |
| UNI ISO 2768 | 0,5 | 3 | 6 | 30 | 120 | 2000 | 2000 | 10000 | 10000 | 20000 | 40000 |
| Molto Grossolana | ±0,5 | ±1 | ±1,5 | ±2,5 | ±4 | ±6 | ±10 | ±15 | ±25 | ±40 | ±70 |
| Grossolana | ±0,2 | ±0,3 | ±0,5 | ±0,8 | ±1,2 | ±2 | ±3 | ±5 | ±8 | ±12 | ±20 |
| Media | ±0,1 | ±0,1 | ±0,2 | ±0,3 | ±0,5 | ±0,8 | ±1,2 | ±2 | ±3 | ±5 | ±10 |
| Fine | ±0,05 | ±0,05 | ±0,1 | ±0,15 | ±0,2 | ±0,3 | ±0,5 | ±1 | ±1,5 | ±2,5 | ±5 |



TECHNICAL FEATURES

- FULL TANK IN AISI 316L STAINLESS STEEL
- NOMINAL CAPACITY: 300 l
- WELDING WITH "PLASMA" AND "TIG" TECHNOLOGY
- EXCHANGE SURFACE LOWER COIL: 1.4 m²
- EXCHANGE SURFACE UPPER: 0.8 m²
- MAX DOMESTIC WATER OPERATING PREASSURE: 1,0 MPa (10 bar)
- MAX PRIMARY OPERATING PREASSURE: 1,0 MPa (10 bar)
- MAX OPERATING TEMPERATURE: 95°C
- INSULATION LAYER: POLYURETHANE CFC AND HCFC FREE DIRECT FOAMING, THICKNESS > 50 mm
- EXTERNAL COATING: COLOURED - BLACK - PLASTIC (PVC) THICKNESS 0,35 mm

TEST

- HEATING EXCHANGER TEST UNDER 6 bar PRESSURE (100%)
- AIR PRESSURE TANK TEST: UNDER 6 bar TROUGH WATER IMMERSION TO VERIFY EVENTUAL COMPONENTS LEAKING (100%)

| Rev. | Descrizione / Description | Data / Date | Disegnato / Drawn by | Verificato / Checked by |
|------|---------------------------|-------------|----------------------|-------------------------|
| 1 | Nessun Trattamento | 12-04-2019 | Marconcini R | |

| | | | | |
|----------------|---------------|-------------------------|-----------------------|--------------------|
| Formato / Size | Scale / Scale | Dimensioni / Dimensions | Num. richiesta / Num. | Peso / Weight (kg) |
| A1 | 1:6 | | | 0,0000 |

| | | |
|--|--|---|
| GIONA HOLDING Via Apollo 11, 1 37059 - S. Maria di Zevio (Verona) ITALIA | | Sostituisce / Replaces the EK 80 US.GAL/2 |
| IN APPROVAZIONE Codice / Part. n° / Rev. SC 176701 A 00 | | Foglio / Sheet 1/1 |