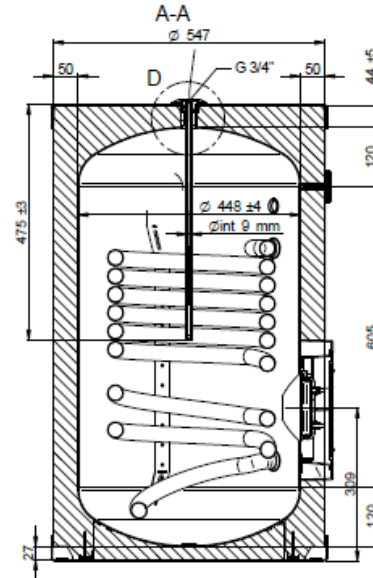
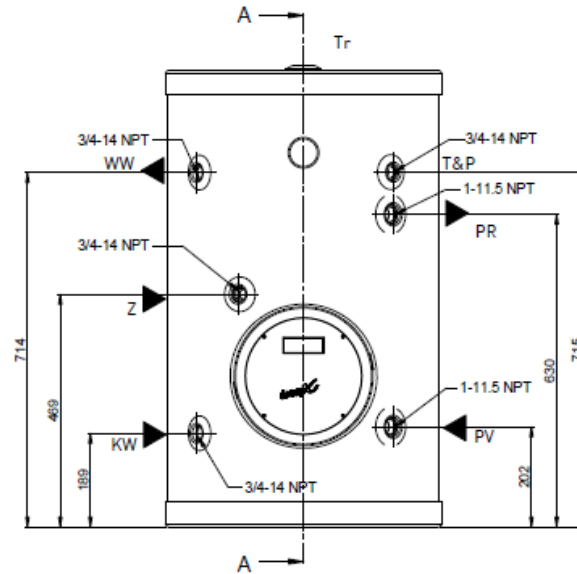
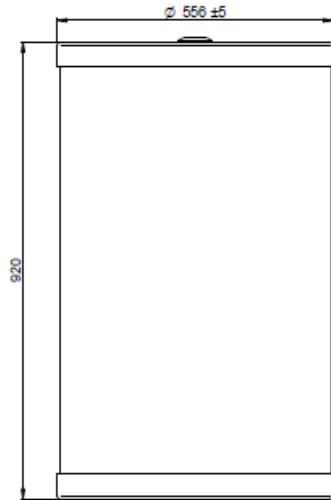
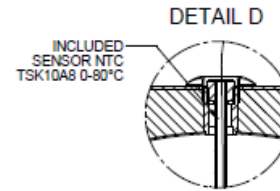
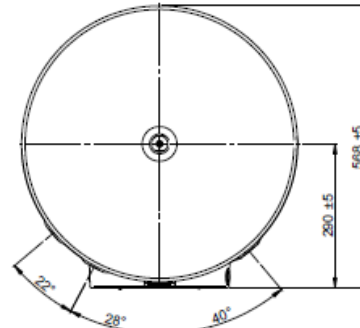
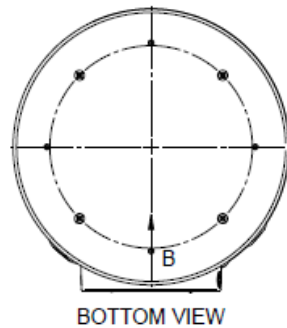


SCHEMA DIMENSIONALE



ECO KING

1	2	3	4	5	6	7	8	9	10	11	12	13	14	15	16	17	18	19	20	21	22	23	24	25	26	27	28	29	30	31	32	33	34	35	36	37	38	39	40	41	42	43	44	45	46	47	48	49	50	51	52	53	54	55	56	57	58	59	60	61	62	63	64	65	66	67	68	69	70	71	72	73	74	75	76	77	78	79	80	81	82	83	84	85	86	87	88	89	90	91	92	93	94	95	96	97	98	99	100
---	---	---	---	---	---	---	---	---	----	----	----	----	----	----	----	----	----	----	----	----	----	----	----	----	----	----	----	----	----	----	----	----	----	----	----	----	----	----	----	----	----	----	----	----	----	----	----	----	----	----	----	----	----	----	----	----	----	----	----	----	----	----	----	----	----	----	----	----	----	----	----	----	----	----	----	----	----	----	----	----	----	----	----	----	----	----	----	----	----	----	----	----	----	----	----	----	----	----	-----



TECHNICAL FEATURES

- FULL TANK IN AISI 316L STAINLESS STEEL
- NOMINAL CAPACITY: 120L
- WELDING WITH "PLASMA" AND "TIG" TECHNOLOGY
- EXCHANGE SURFACE: 0.9 m²
- MAX DOMESTIC WATER OPERATING PRESSURE: 1.0 MPa (10 bar)
- MAX PRIMARY OPERATING PRESSURE: 1.0 MPa (10 bar)
- MAX OPERATING TEMPERATURE: 95°C
- INSULATION LAYER: POLYURETHANE CFC AND HCFC FREE DIRECT FOAMING, THICKNESS > 50 mm
- EXTERNAL COATING: COLOURED -BLACK- PLASTIC (PVC) THICKNESS 0,35 mm

TEST

- HEATING EXCHANGER TEST UNDER 8 bar PRESSURE (100%)
- AIR PRESSURE TANK TEST: UNDER 8 bar THROUGH WATER IMMERSION TO VERIFY EVENTUAL COMPONENTS LEAKING (100%)

Model	EX 32 US GAL/1	Material	AISI 316L	Capacity	120L
Pressure	15	Temperature	0-80°C	Insulation	50mm
Weight	15	Volume	0.000	Material	316L

BY LAURO
SC 177034 A 00
Page 1/1