



www.eco-king.com

Winterwarm

High Efficiency Unit Heater

Submittal Sheet

Job Name: _____ **Date:** _____

Location: _____

Engineer: _____

Contractor: _____

Model Number: _____ **Gas Type:** _____

Product Features:

- Stainless Steel Heat Exchanger
- Up To 96% High Efficiency
- Up to 3:1 Modulation
- Special Modulating Winterwarm Thermostats
- CPVC/PP Venting
- De-Stratification Fan To Ensure Even Building Temperature
- Direct Vent Combustion
- Fully Condensing Allowing Great Efficiencies
- Negative Pressure Gas Valve Allowing Installations Over 2000ft Elevation

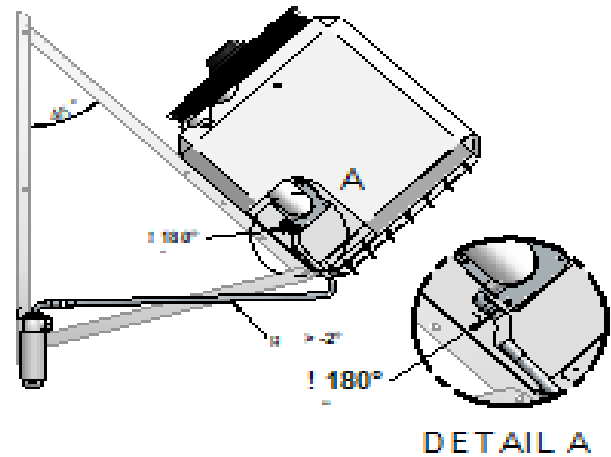
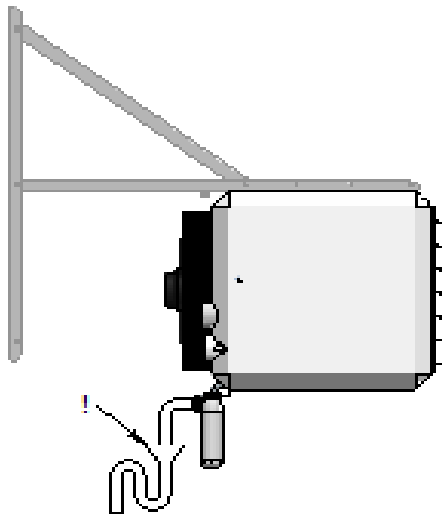
Control Features:

- 0-10VDC Control Available
- 1 T-Stat to Control Up To 8 Units
- Modulating T-Stat Controls Fan Modulation

Commercial name	HR50	HR75	HR115	HR150	HR190	HR250
Btu (nom)	47.000	76.000	114.000	151.000	189.000	227.000
Btu (min)	15.000	23.000	34.000	45.000	57.000	68.000
Eff @ max (%)	87,1	91,0	87,7	91,6	87,0	91,0
Eff @ min. (%)	95,8	95,8	96,7	96,7	95,5	95,5
Amps @ 115Vac (A)	4,9	4,9	7,0	7,0	7,1	7,1
Air output (cfm)	1200	1500	1800	2600	2900	3500
m3/hr	4.500	4.500	5.000	5.000	6.000	6.000
Throw (ft)	85	85	92	92	98	98
m3/hr	26	26	28	28	30	30
Gas connection G"	½" in	½" in	½" in	½" in	½" in	½" in
Flue length max (ft)	30	30	30	30	30	30
Weight (lbs)	187	187	231	231	243	243
Sound level (average @ 13 ft (4m)) (dBA)	47	47	48	48	49	49

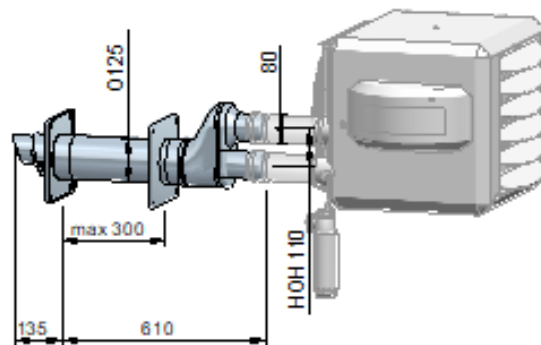
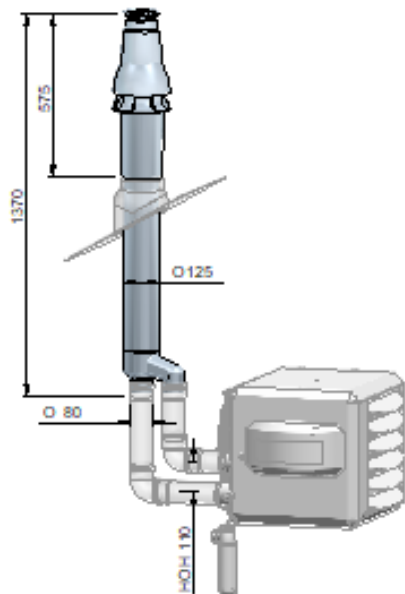


Venting



Maximum condensate rate:

Type HR	HR10	HR20	HR30/35	HR40	HR50	HR60
Max. Condensate l/hr	2	2	3	3	4	4



For more information visit:
www.eco-king.com