

**ECO-KING**

**King Heating Products Inc.**

**WWW.ECOKINGHEATING.COM**

**ECO-KING Winterwarm**  
*High Efficient Unit Heater*



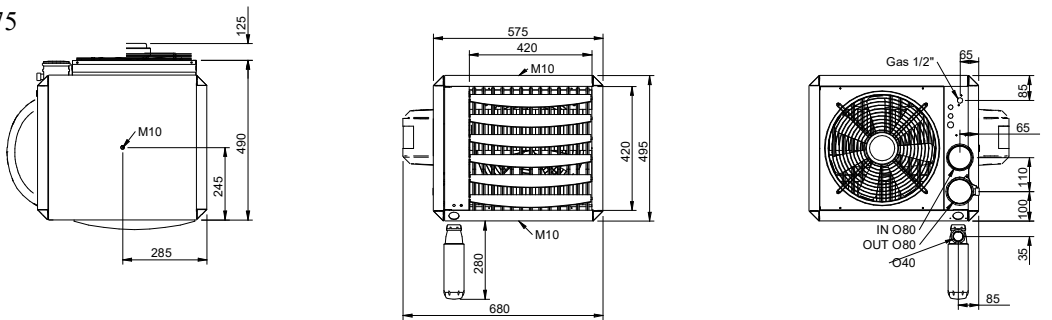
- ⇒ High Efficient Unit Heater
- ⇒ Energy Savings up to 25% of Conventional Heaters
- ⇒ Modulating Burner & System Fan for Higher Comfort
  - ⇒ Temp Control for optimal air circulation
  - ⇒ Compact Design and Light Weight
  - ⇒ Easy to Install
  - ⇒ Unique Stainless Steel Heat Exchanger
- ⇒ Modulating Clock Thermostats for 1-8 Heaters
- ⇒ Fault indicator and reset function on the clock
- ⇒ Low Voltage connection to thermostat
- ⇒ Fortis BC eligible rebate: \$7 per 1000 BTU. Up to \$1750 rebate

**WWW.ECOKINGHEATING.COM**

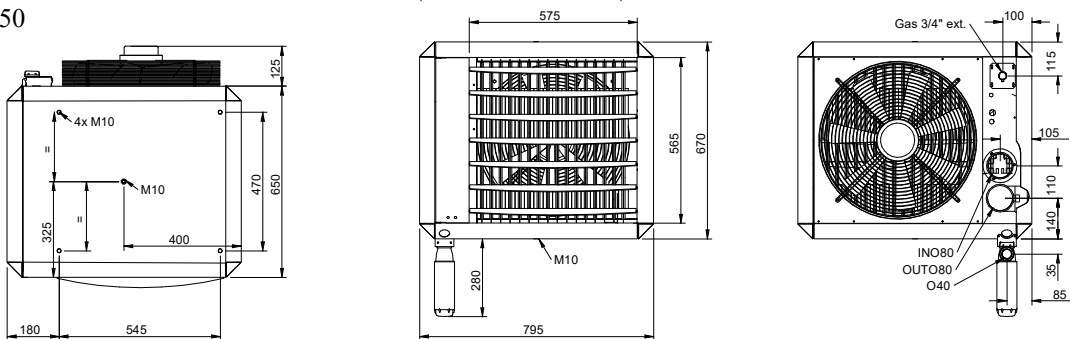
## High Efficient Condensing Unit Specifications:

Commercial name	HR50	HR75	HR115	HR150	HR190	HR250
<b>Btu (nom)</b>	47.000	76.000	114.000	151.000	189,000	227.000
<b>Btu (min)</b>	15.000	23.000	34.000	45.000	57.000	68.000
<b>Eff @ max (%)</b>	87,1	91,0	87,7	91,6	87,0	91,0
<b>Eff @ min. (%)</b>	95,8	95,8	96,7	96,7	95,5	95,5
<b>Amps @ 115Vac (A)</b>	4,9	4,9	7,0	7,0	7,1	7,1
<b>Air output (cfm)</b>	1200	1500	1800	2600	2900	3500
<b>m3/hr</b>	4.500	4.500	5.000	5.000	6.000	6.000
<b>Throw (ft)</b>	85	85	92	92	98	98
<b>m3/hr</b>	26	26	28	28	30	30
<b>Gas connection G"</b>	½" in	½" in	½" in	½" in	½" in	½" in
<b>Flue length max (ft)</b>	30	30	30	30	30	30
<b>Weight (lbs)</b>	187	187	231	231	243	243
<b>Sound level (average @ 13 ft (4m)) (dBA)</b>	47	47	48	48	49	49

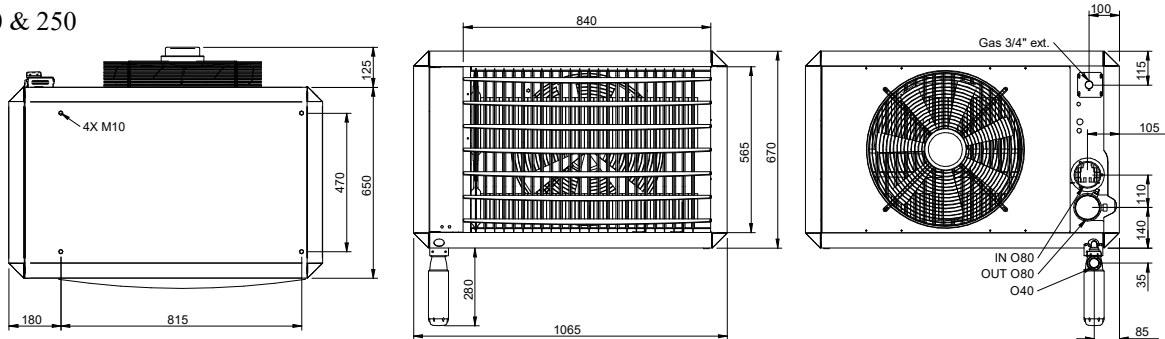
HR 50 & 75



HR 115 & 150



HR 150, 190 & 250



Subscribe to Eco-King on

