

ECO-KING

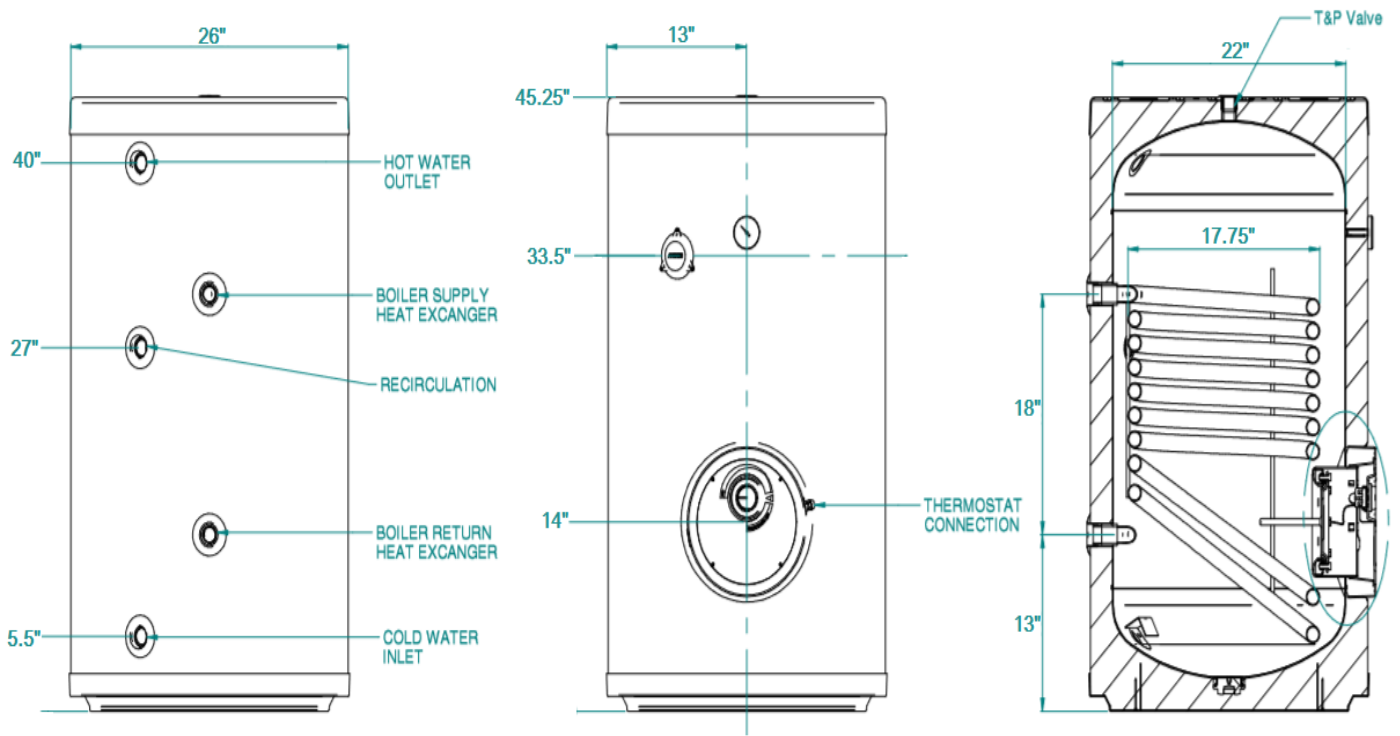
King Heating Products Inc.

WWW.ECOKINGHEATING.COM

The Eco-King *Glass Line.*

- **Manufactured & Engineered in Italy**
Full Glass Lined interior.
- **Superior Tank Capacity**
ISSW 200 = 212 Litres.
ISSW 300 = 298 Litres.
- **Simple Installation & Cleaning**
All tapping's on one side of the tank ensure an easy, cost effective installation.
- **Supreme Performance**
Large Diameter and long length coil ensure superior domestic hot water production.
- **Dedicated recirculation tapping**
Saves time & cost during install.
- **Max Operating Temp = 95° C**
- **1" Tank Connections**
- **T&P Tapping ready (not included)**
- **Levelling Legs included**
- **Corrosion-proof magnesium anode**
- **2" Insulation**
- **Available Models**
Single Coil: ISSW 200 & ISSW 300.
- **5 Year Limited Warranty**





Model	Capacity & Weight	Heat Exchange Surface	Height	Diameter	Max Working Pressure	Flow Rate	Power 90°ΔT	DHW Production 90°F ΔT
	L lbs.	ft ²	Inches	Inches	PSI	gpm	BTU	usg/hr
ISSW 200	212 L 146 lbs.	13	46"	26"	145	8	102,630	195
ISSW 300	298 L 215 lbs.	15	60"	26"	145	14	150,128	286

