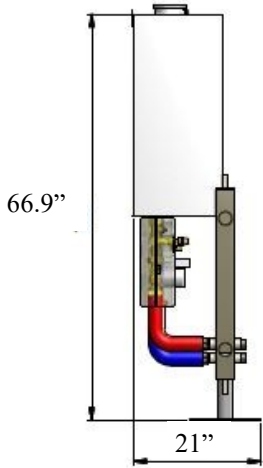
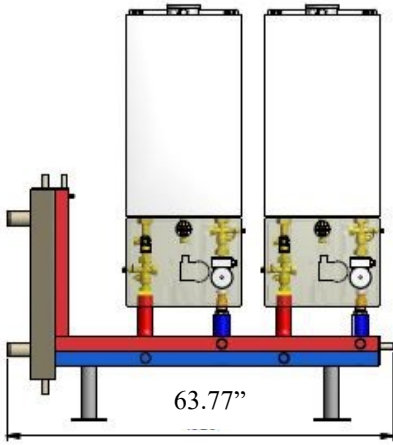
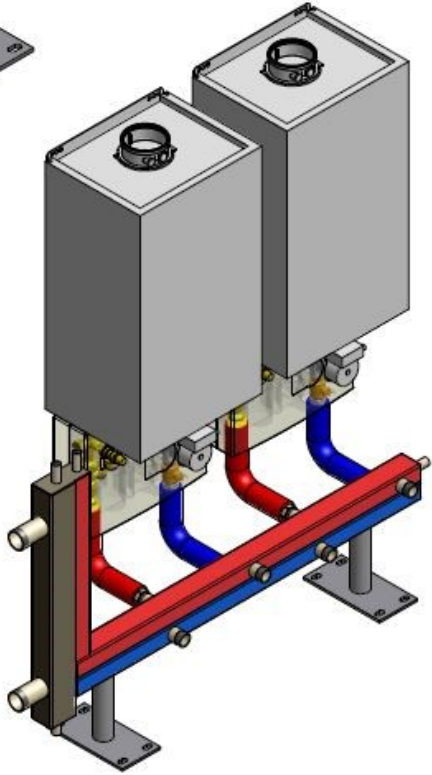
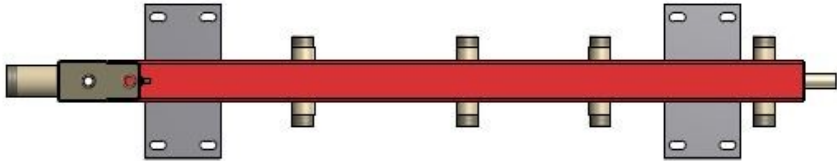
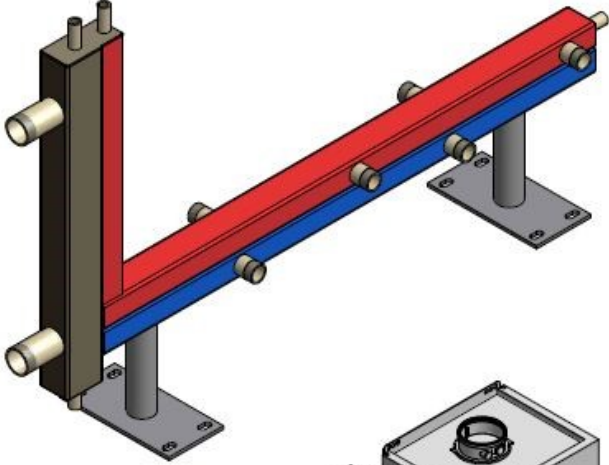
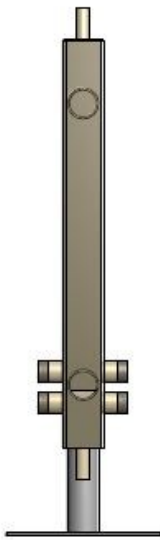




www.kingheatingproducts.com



Eco-King 2 boiler Manifold System with Low Loss Header